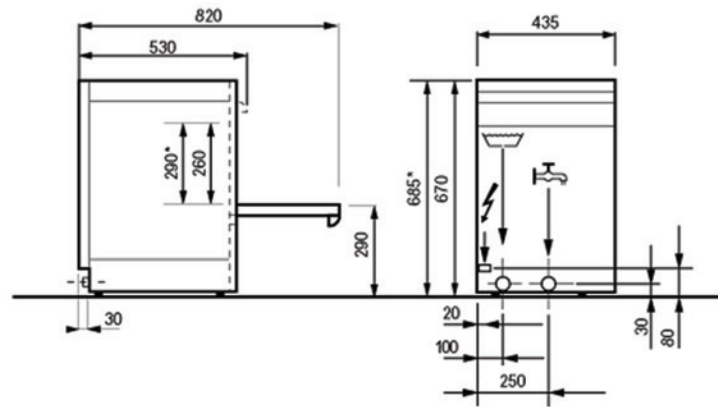


| Table of technical data |          | Steel 41 | Steel 41H |
|-------------------------|----------|----------|-----------|
| Round rack version      |          | si       |           |
| Water softner version   |          | si       |           |
| Rack dimensions         | cm       | 40x40    | 40x40     |
| Usable opening          | mm       | 255      | 285       |
| Tank capacity           | lt       | 9        | 9         |
| Voltage                 | V/ph/Hz  | 230/1/50 | 230/1/50  |
| Max power               | W        | 3.510    | 3.510     |
| Cycle duration          | sec      | 150      | 150       |
| Max output              | racks/hr | 24       | 24        |
| Water feed              | C°       | 50°-55°  | 50°-55°   |
| Water consumption       | lt       | 2        | 2         |



|   |  |              |
|---|--|--------------|
| A |  | Ø 50 mm M    |
| B |  | Ø 3/4" GAS M |
| C |  |              |



 積華香港有限公司  
Jackwah Hong Kong Limited

香港荃灣沙咀道11-19號達貿中心1221室  
Room 1221, International Trade Centre, 11-19 Sha Tsui Road,  
Tsuen Wan, Hong Kong E-mail: info@jackwah.com  
Tel: (852) 8209 0911 Fax: (852) 8209 0977





## What Steel can offer to your work

### Bright and sanitised glasses.

Exceptional results with the steel independent rinsing arms with high-efficiency sprayers that make the most of the built in boiler's features.

### Extraordinary simplicity.

A few buttons with intuitive functions, simplified daily maintenance, they can be cleaned in a moment.

### Reduced operating expenses.

The Gold glass-washers are designed to reduce to the least water consumption, detergent products and energy, even by granting unexceptionable cleanliness.

### Silent.

The double drummed-door construction limits the noise and avoids that the door heats itself excessively.

### Flexibility.

All the models with 40 cm baskets are endowed with superior washing arms that make it possible, in particular conditions, to wash not only glasses, but also dishes with the suitable basket (optional).

To satisfy the requirements of the different users' segments, from the coffee-house to the bar, from the small refreshment to the beer-house, 8 different models are available: with 35 or 40 cm baskets, useful heights from 19 to 29 cm, with and without incorporated softener and with a large choice of baskets to satisfy every need.

### Total quality.

The Steels are conceived to guarantee the highest reliability; the components used are among the best to be found on the market and their position inside the machine is planned to facilitate in the best way the maintenance operations. The Colged quality system is certified ISO 9000 and the factory is the most modern in Europe, because "Total Quality" is not only a slogan.

### Always at your side.

The steel glass-washers are distributed only by Colged's authorised retailers; the society takes care directly of the formation and the modernisation of the assistance centres; the distribution of the spare parts is ensured by Eurotec Service, a structure solely dedicated to keeping an excellent customers' service.



## Solid steel

The choice isn't casual; the name reflects the character and the most important features of Colged's glass-washers fitting into their own appeal: solid steel, great

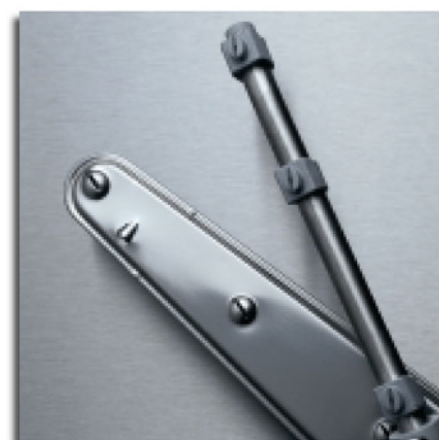
simplicity, performances, reliability. Products that don't follow the trend, tireless workers, faithful fellow-workers of your activity.



Easy! A few buttons and clearly lit warning lights



Safe! The drummed-door doesn't burn and retains the noise



Excellent! The independent and rotating arms are warranty of result



Flexible! Different kinds of glasses, different kinds of baskets



Versatile! Also with a disposable round basket



Greedy! It also digests dishes

SINCERT

CERTO  
SISTEMA QUALITÀ  
CERTIFICATO UNI EN  
ISO 9001  
ATTESTATO N° 298

CE