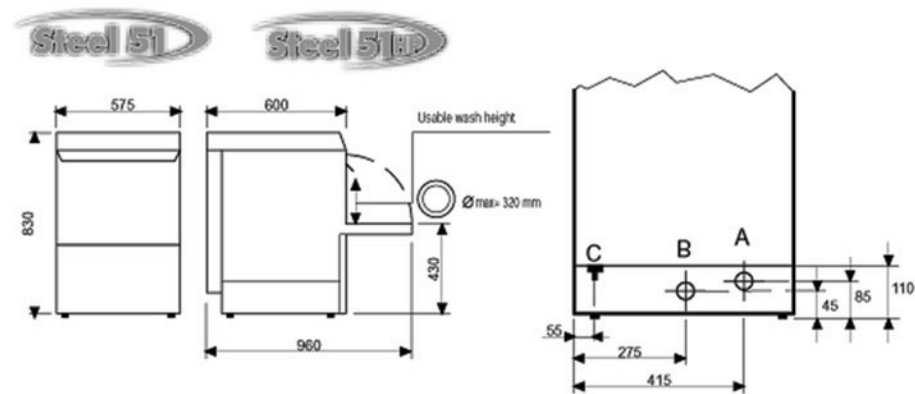


| Table of technical data | | Steel 51 | Steel 51HP |
|-------------------------|-----------|-----------------------------------|-----------------------|
| Water softner version | | yes | |
| Rack dimensions | cm | 50 x 50 | 50 x 50 |
| Usable opening | cm | 30 | 30 |
| Tank capacity | lt | 33 | 33 |
| Voltage | V/ph/Hz | 400/3N/50 230/3/50 230/1/50 | 400/3N/50 230/3/50 |
| Max power | W | 3.650 | 5.900 |
| Quick cycle | sec | 60 | 60 |
| Standard cycle | sec | 180 | 180 |
| Max output | plates/hr | 1.080 | 1.080 |
| Water feed | C° | 50°-55° | 15°-55° |
| Water consumption | lt | 3 | 3 |

*optional - ** using the special 54 x 54 cm rack (optional)



| | | |
|---|--|--------------|
| A | | Ø 50 mm M |
| B | | Ø 3/4" GAS M |
| C | | |



積華香港有限公司
Jackwah Hong Kong Limited

香港荃灣沙咀道 11-19 號達貿中心 1221 室
Room 1221, International Trade Centre, 11-19 Sha Tsui Road,
Tsuen Wan, Hong Kong E-mail : info@jackwah.com
Tel: (852) 8209 0911 Fax : (852) 8209 0977

Steel

51_51HP





Solid steel

The choice isn't casual; the name reflects the character and the most important features of Colged's glass-washers fitting into their own appeal: solid steel, great simplicity, performances, reliability. Products that don't follow the trend, tireless workers, faithful fellow-workers of your activity.



Optimising the washing system to satisfy your costumers and **reducing the management costs** is an inalienable necessity; that's why Colged proposes Steel 51, a **compact** but very **versatile** dishwasher, able to be the main machine of your restaurant but also the perfect complement, for example for the glasses' washing, of washing systems of bigger dimensions. The **two** washing selectable **cycles** permit you in fact to adapt productivity and consumptions, while the clearance consents the washing of even **big dimensioned** dishes and up to 30 cm of maximum height glasses. Steel 51 allows you to make **the cleanliness** at the end of the day **faster**, in fact the integral filter in the tank retains the big residuals while the funnel shaped bottom makes water drainage easier and the washing arms with unblocking sprayers reduce the frequency of maintenance operations. As in all the Steel models, the 51 is very easy to use, reliable and safe.



What can Steel give to your work

Bright dishes.

Exceptional results obtained with an attentive study of the hydraulic washing circuits and an exceptional exploitation of the pumps' power in order to reduce the electric consumptions and work time.

Sanitised dishes.

The integrated boiler with a highly resistant output is associated with a hydraulic rinse circuit with separated arms and high performance sprayers to assure you an absolute hygiene.

Economy in the consumption.

Thanks to its advanced design, the water and energy consumption is particularly reduced, the operative cycles are shorter and permit an effective use of the washing plant.

Intuitive working.

The control panel allows you to command the

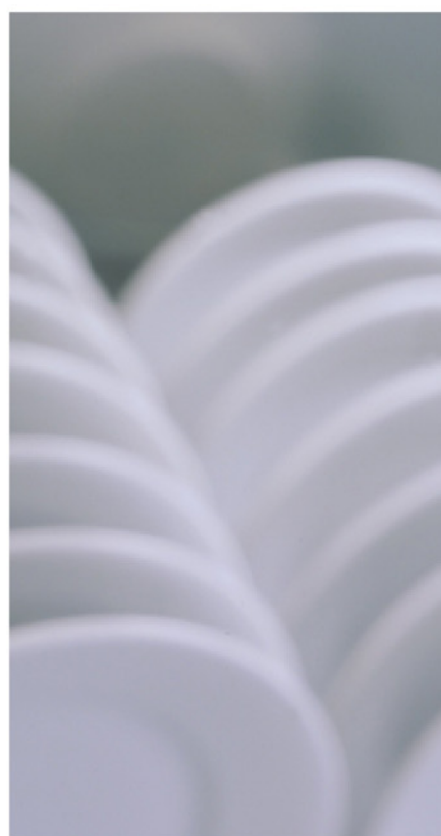
machine with a few intuitional push buttons; in this way also the operators' training is easier, a precious gift in presence of high turnover.

Total quality.

The Steel dishwashers are designed to guaranteed the maximum reliability; the components used are among the best to be found on the market and their position inside the machine is planned to facilitate in the best way maintenance operations.

Always at your side.

The Steel dishwashers are distribute only by Colged's authorised retailers; the corporation is taking care directly of the formation and modernisation of the assistance centres, the distribution of the spare parts is ensured by Eurotec Service, a structure solely dedicated to assuring an excellent customer service.



Simple! A few function push buttons



Effective! Independent hydraulic circuits



Clean! The tank filter (optional) retains the biggest residuals



Versatile! It accepts also 32 cm dishes (optional basket)



Useful! Excellent also as a glass washer



Discreet! The double drummed door retains the noise