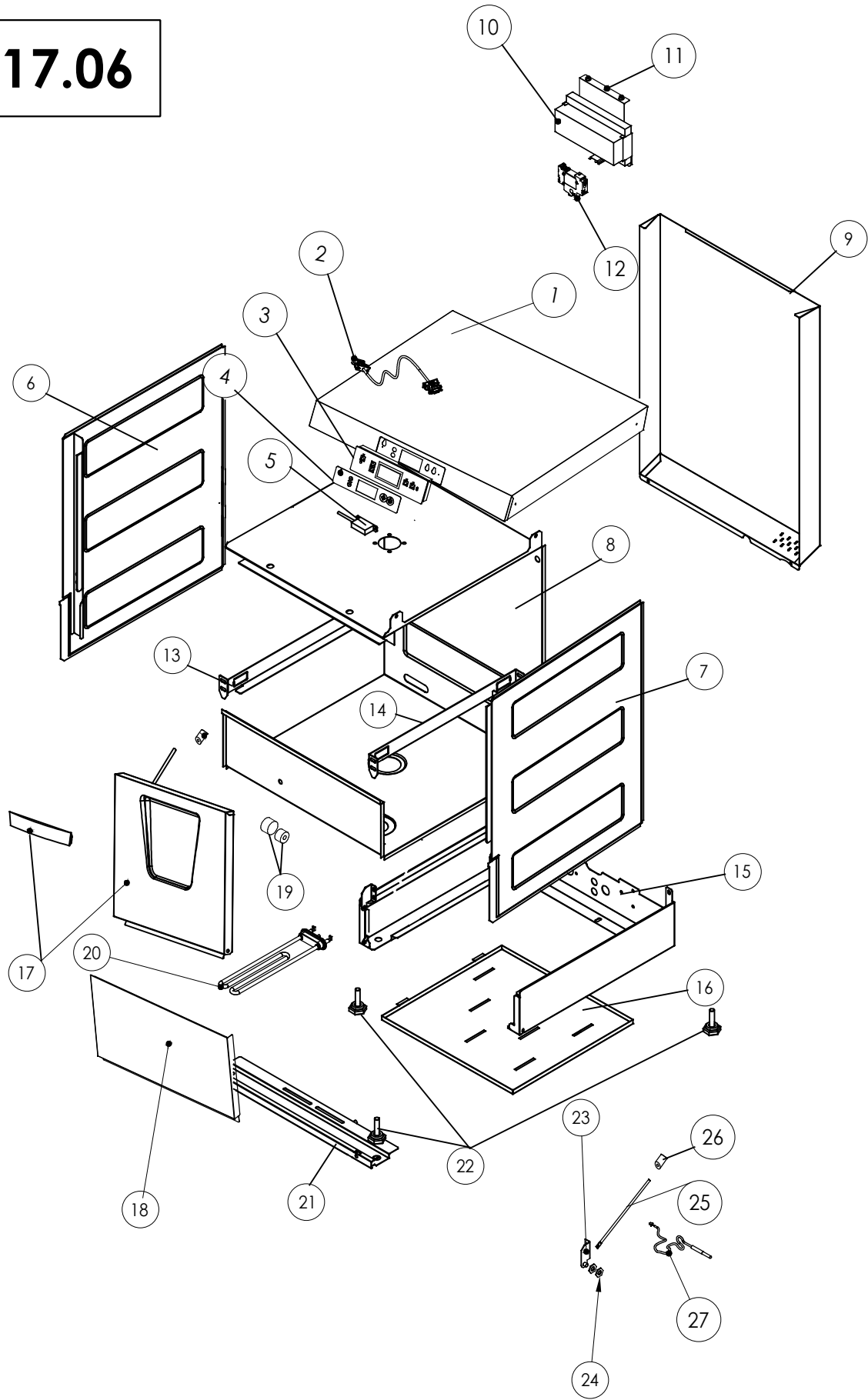
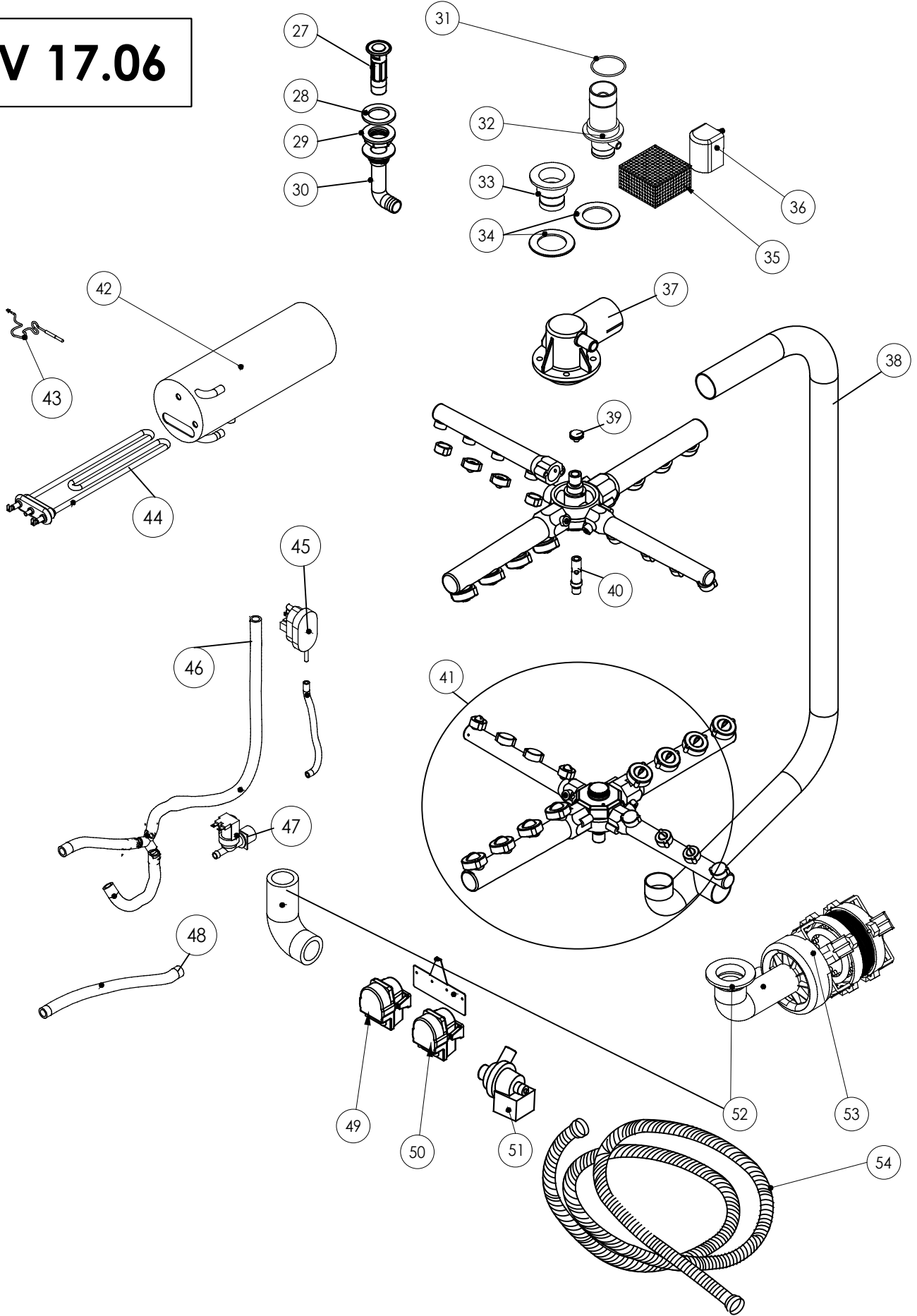


V 17.06



R&D	NAME	SIGNATURE	DATE	MATERIAL	VERSION NO	OZTI	
DRAWING	S. GÜNEŞ		02.04.2018		V 17.06		
CONTROL	S. GÜRCÜ		02.04.2018			DIGITAL GLASSWASHER BODY EXPLODED VIEW	
CONSENT	M.HACI		02.04.2018	THICKNESS	REVISION	PIC. NO	
		MEASUREMENTS MILIMETER		WEIGHT (gr.)	SCALE		

V 17.06



R&D	NAME	SIGNATURE	DATE	MATERIAL	VERSION NO		
DRAWING	S.GÜNEŞ		02.04.2018		V 17.06	OZTI	
CONTROL	S.GÜRCÜ		02.04.2018				
CONSENT	M.HACI		02.04.2018	THICKNESS			
		MEASUREMENTS MILIMETER		WEIGHT (gr.)	SCALE	PIC. NO	

PIC.NO	CODE	PART NAME
1	2710.00504.10	TOP PANEL
2	6262.00043.04	500 T/S ELECTRONIC DATA CABLE
3	6262.00043.03	DIGITAL SGREEN
4	6262.00018.08	LABEL
5	6232.00005.16	PIC MAGNETIC SENSOR MS-328-6-4-0500
6	2710.00504.12	SIDE PANEL RIGHT
7	2710.00504.120	SIDE PANEL LEFT
8	2710.00504.02	BODY PART
9	2710.00504.04	REAR COVER
10	6262.00043.01	DIGITAL POWER BOX
11	2710.00501.07	DIGITAL POWER BOX S/S PLATE
12	6262.00045.32	SAFETY CONTACTOR
13	2710.00504.06	BASKET PLATE RIGHT
14	2710.00504.060	BASKET PLATE LEFT
15	2710.00504.11	BOTTOM CHASSIS
16	2710.00504.57	LOWER COVER
17	2710.00504.003	DOOR GROUP
18	2710.00504.19	BOTTOM PANEL
19	6232.00004.17	MAGNET Q18*Q5*10MM
20	9099.01000.00	RESISTANCE 2000 W
21	2710.00504.26	BOTTOM CHASSIS CONNECTION PART
22	6262.00011.03	ADJUSTABLE FEET M 10*40
23	2710.00504.17	FRONT HINGE
24	2KLP.460.626200001.05	HINGE NUT
25	2KLP.460.626200001.03	S/S STICK
26	6262.00024.01	STOPPER
27	6262.00023.04	DRAIN CONNECTION PLUG
28	6226.00004.06	SEAL Q53*Q33*Q4
29	6262.00023.03	DRAIN CONNECTION NUT
30	6262.00023.02	DRAIN CONNECTION PART
31	6226.00004.06	SEAL Q53*Q33*Q4
32	2710.F0024.03	WASHING CORE
33	6262.00023.02	DRAIN CONNECTION PART
34	6226.00004.03	SEAL Q40
35	2710.00502.05	FILTER
36	6262.00026.03	AIR GAP
37	2710.F0025.02	PLASTIC WASHING ELBOW (TOP)
38	6262.00021.33	WASHING HOSE GROUP
39	2KLP.460.626200041.04	WASHIN ARM SCREW
40	2KLP.460.626200041.03	RINDING MILE
41	6262.00033.32	SPRAY ARM GROUP
42	6262.00057.11	BOILER GROUP
43	6262.00043.05	BOILER PROB
44	9099.01000.01	RESISTANCE 2950 W
45	6262.00007.01	PRESOSTAT 45-20
46	6262.00021.51	RINSIN Y HOSE GROUP
47	6262.00008.00	WATER INLET VALVE
48	6262.00021.07	HOSE
49	9740.D3REG.00	DETERGENT PUMP

50	9740.B04RE.00	RINSE PUMP
51	6262.00016.00	DRAIN PUMP
52	626.200.021.050	HOSE
53	9099.ZF121.00	WASHING PUMP
54	626.200.021.163	DRAIN HOSE