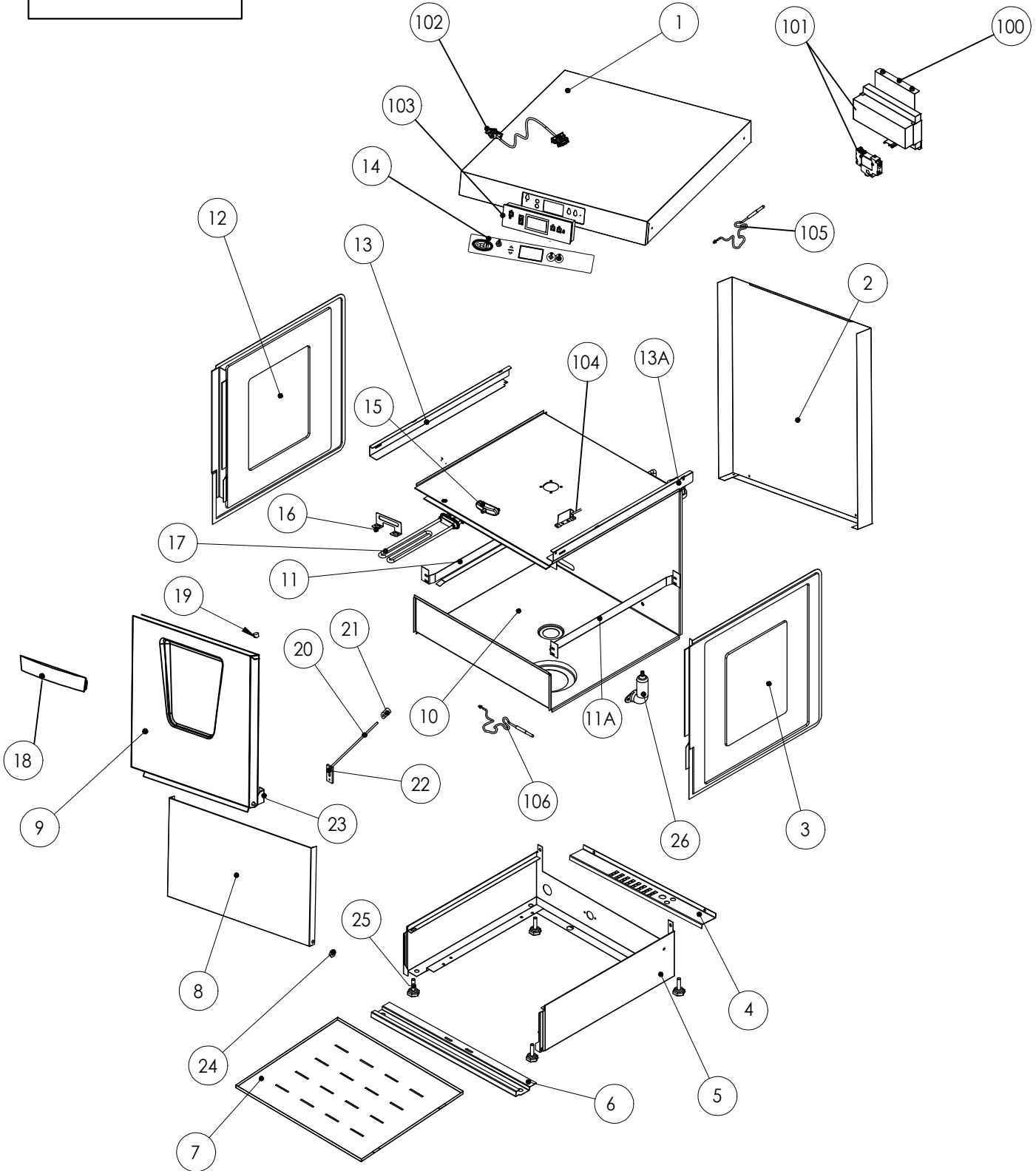


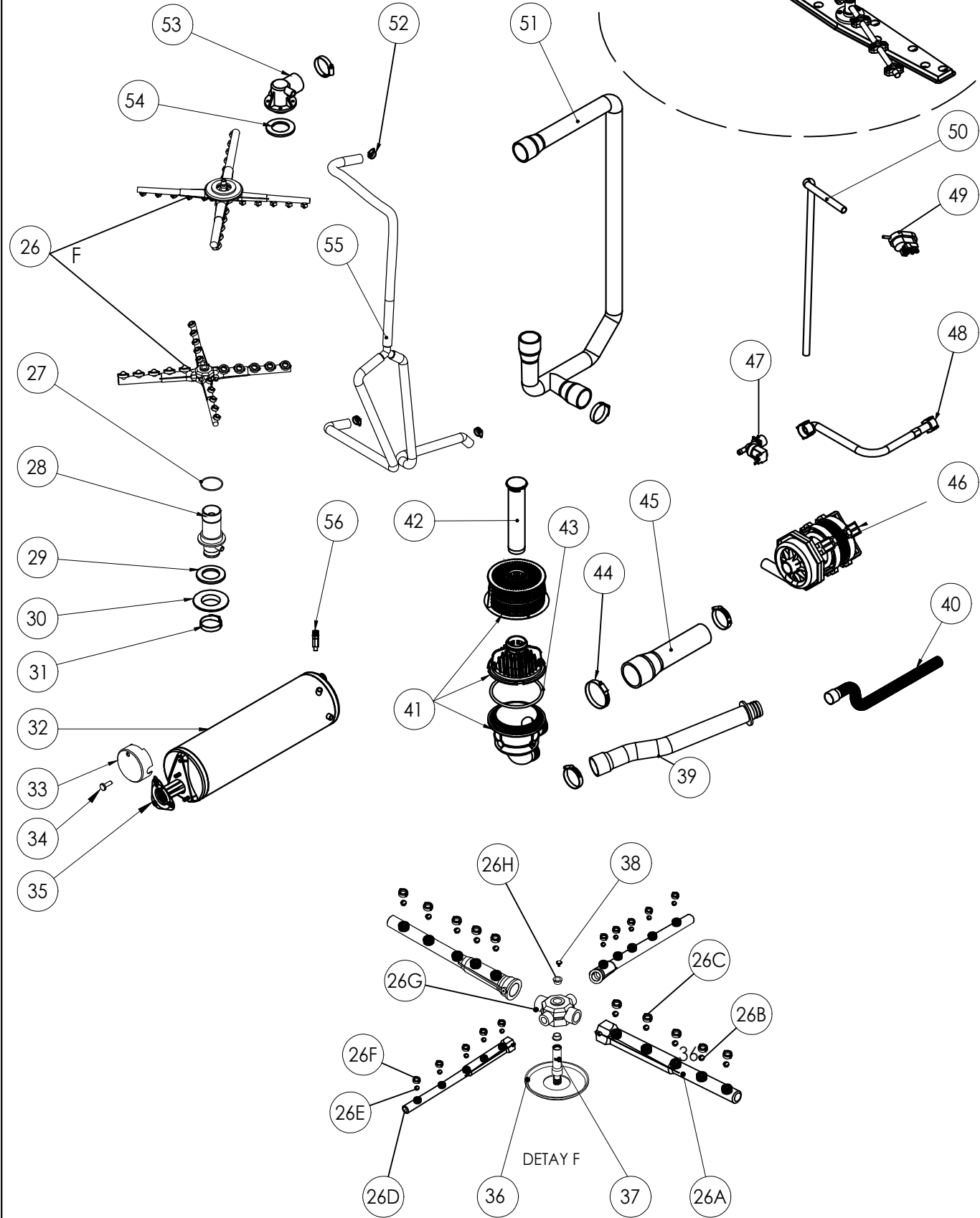
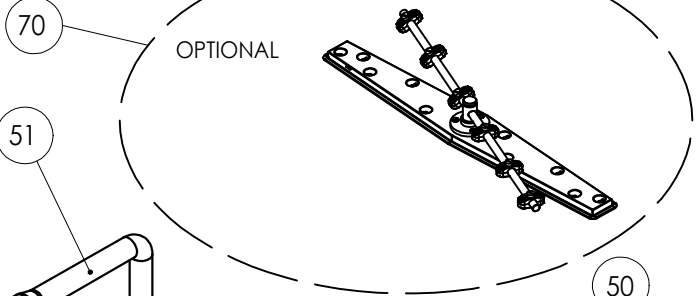
V 17.06



R&D	NAME	SIGNATURE	DATE	MATERIAL	VERSION NO	OZTI GROUP NAME: OBY 500 DER BODY GROUP EXPLODED DRAWING
DRAWING	S. GÜNEŞ		10.05.2018		V 17.06	
CONTROL	S. GÜRCÜ		10.05.2018			
CONSENT	M.HACI		10.05.2018			
MEASUREMENTS MILIMETER						

PIC. No	Part Code	Part Name
1	2710.00501.05	Top Panel Cover
2	2710.00501.04	Back Cover
3	2710.00501.12	Body Cabinet Right Cover
4	2710.00501.03	Bottom Chassis Back Cover Support
5	2710.00501.11	Bottom Chassis
6	2710.00501.26	Bottom Chassis Connection
7	2710.00501.57	Bottom cover
8	2710.00501.19	Bottom Chassis Front Panel
9	2710.00501.002	Door
10	2710.00501.02	Body Cabinet
11	2710.00501.060	Basket Seat (Left)
11A	2710.00501.06	Basket Seat (Right)
12	2710.00501.120	Body Cabinet Left Cover
13	2710.00501.200	Body Cover Supporter (Left)
13A	2710.00501.20	Body Cover Supporter (Right)
14	6262.00020.08	Label for Digital Dishwasher
15	6262.00001.04	Cover Lock Set
16	2710.00501.32	Resistance Fixing Part
17	9099.01000.00	Depo Resistance 2000 W
18	6262.00022.14	Door Handle
19	6232.00004.17	Magnet
20	2710.00501.51	Metal Rod
21	6262.00024.01	Metal Rod Stopper
22	6262.00033.24	Front Lid Plastic Stopper
23	2710.00501.17	Lid Hinge Part
24	2KLP.460.626200001.05	Lid Hinge Joint
25	6262.00011.02	Adjustable Leg
26	6262.00026.03	Air Chamber (Plastic)
100	2710.00501.07	Power Box Panel
101	6262.00045.32	Power Box
102	6262.00043.01	Digital Screen
103	6262.00043.04	Digital Screen Data Cable
104	6232.00005.16	PIC Magnetic Sensor
105	6262.00043.05	Boiler Prob
106	6262.00043.06	Tank Prob

V 17.06



R&D	NAME	SIGNATURE	DATE	MATERIAL	VERSION NO	<h2 style="margin: 0;">OZTI</h2> <p style="margin: 0; font-size: small;">GROUP NAME: OBY 500 DER WASHING AND RINSING GROUPS EXPLODED DRAWING</p>
DRAWING	S. GÜNEŞ		10.07.2017		V 17.6	
CONTROL	S. GÜRCÜ		10.07.2017			
CONSENT	M.HACI		10.07.2017			
MEASUREMENTS MILIMETER						

PIC. No	Part Code	Part Name
26	6262.00033.33	Washing Arm
26A	6262.00033.00	Washing Arm (Without Nut&Nozzle)
26B	6262.00033.03	Washing Arm Nozzle
26C	6262.00033.02	Washing Arm Nut
26D	6262.00033.20	Rinsing Arm(Without Nut&Nozzle)
26E	6262.00033.21	Rinsing Arm Nozzle
26F	6262.00033.22	Rinsin Arm Nut
26G	6262.00033.01	Collector(washing&rinsing)
26H	6262.00005.00	Washing Arm Part (Plastic Part)
27	6228.00059.60	Oring-Q47.29MM*Q2.62MM
28	6262.00024.02	Washing Navel
29	6226.00004.03	Seal Ø40
30	6262.00023.01	Plastic Navel Nut Ø40
31	6221.00001.04	Clamp 40*60MM INOX
32	6262.00057.12	Boiler
33	6262.00062.01	Resistance Plastic Cover
34	2KLP.460.626200062.06	M6 Polyamid Screw
35	9099.01000.05	Boiler Resistance 5000 W
36	6262.00030.05	Ring of Water Canalize
37	2KLP.460.626200041.03	Navel axle
38	2KLP.460.626200041.04	Special Screw M8
39	6262.00021.11	Connection Part for Drain Hose
40	6262.00021.13	Drain Hose
41	6262.00027.000	Inlet Filter Lower Part
42	6262.00028.001	Drain Pipe
43	6226.00004.07	Seal
44	6221.00001.05	50x70 Clamp
45	6262.00021.06	60X40 Rubber Hose
46	9099.ZF290.VO	Washing Pump (LGB-ZF290V)
47	6262.00008.00	Plastic Ventile
48	6262.00021.12	Water Inlet Hose
49	6262.00007.01	Pressostat
50	6262.00021.07	Pressostat Connection Hose
51	6262.00021.30	Washing Pipe
52	6221.00001.02	Clamp 12*20MM INOX
53	6262.00025.02	Plastic Washing Elbow (Top)
54	6226.00004.03	Seal Ø40
55	2710.F0021.22	Rinsing Pipe
56	6262.30666.013	Chackvalve for Rinseaid Pump
70	6262.00030.06	Metal Washing Arm