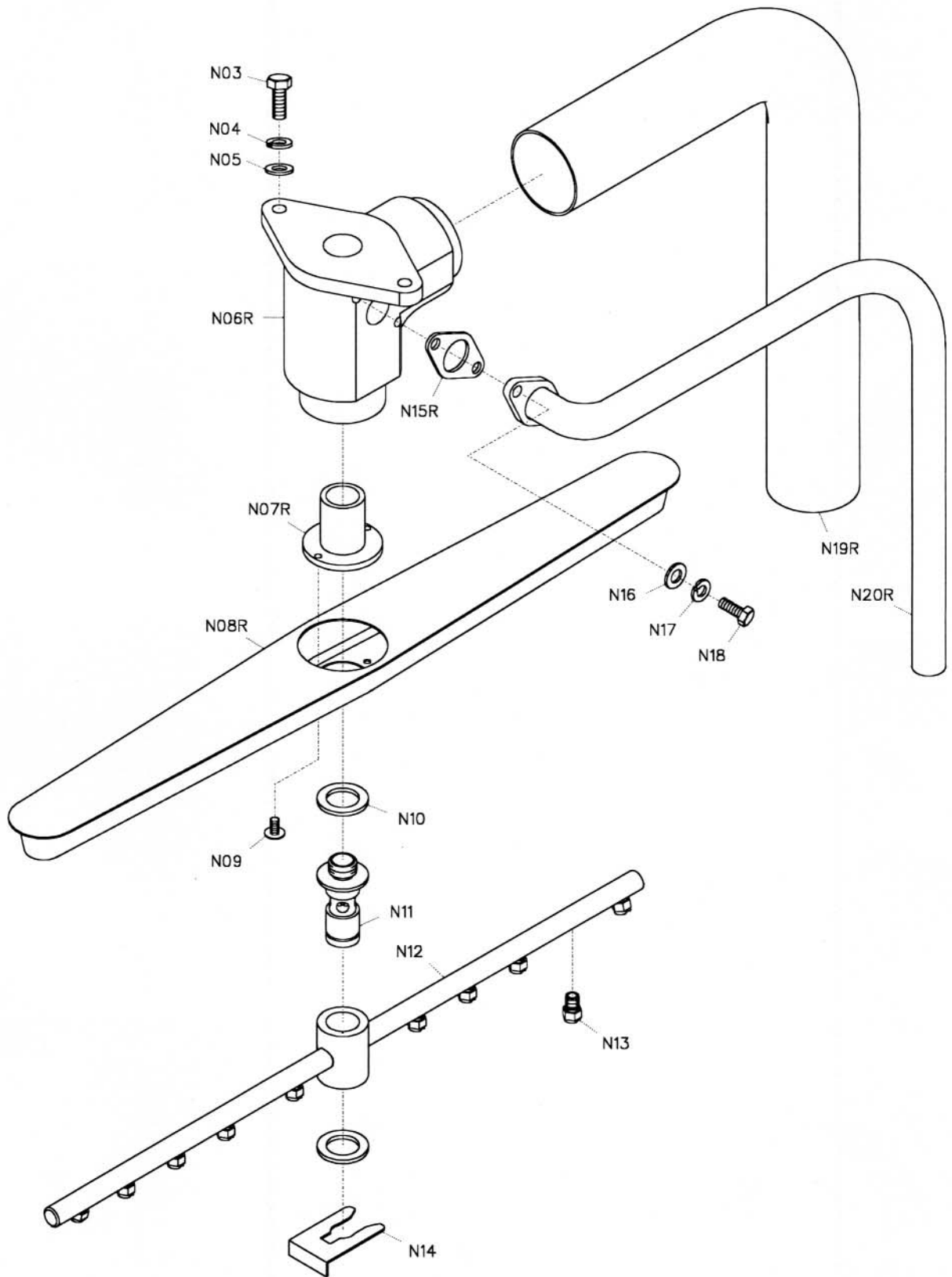
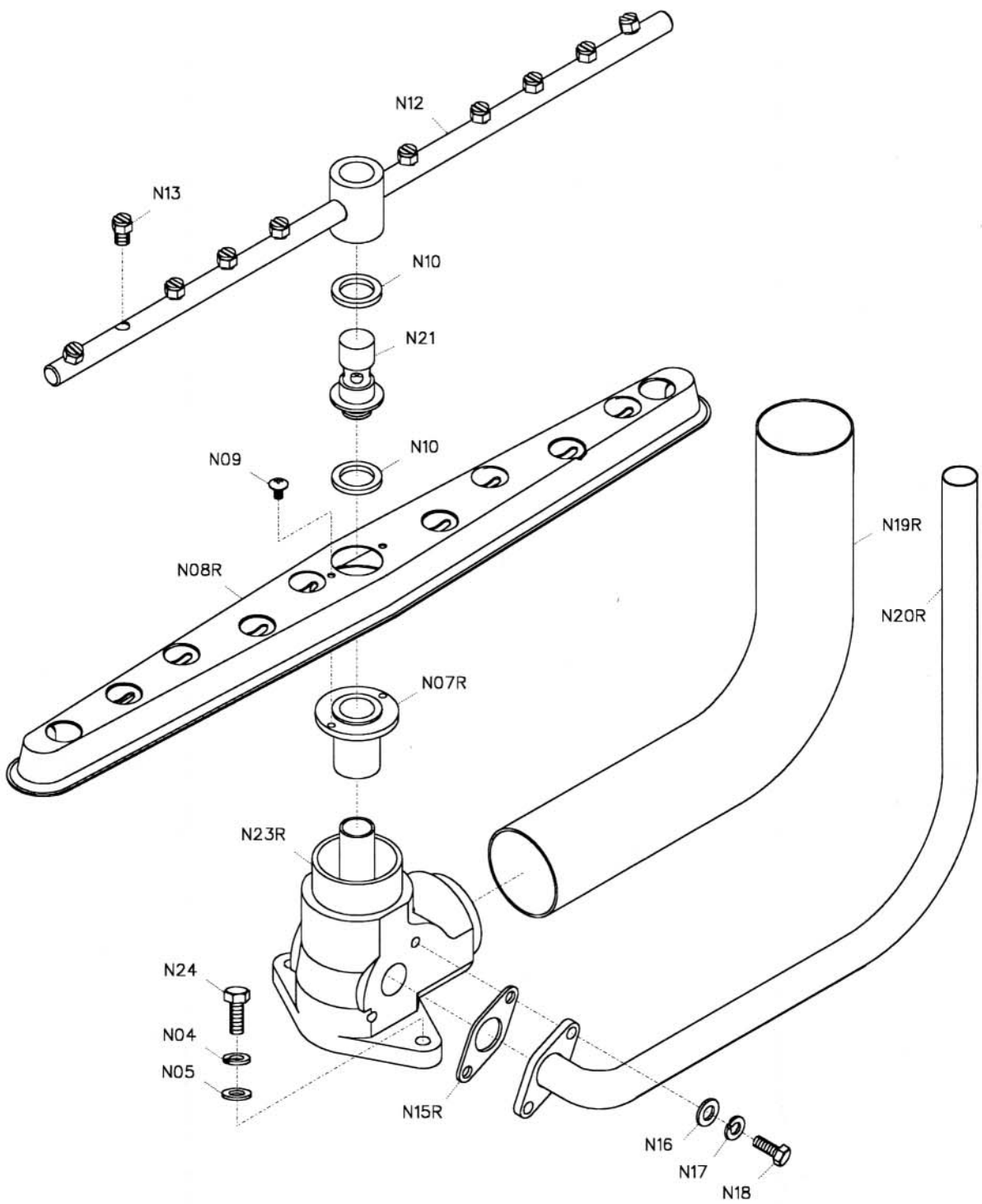


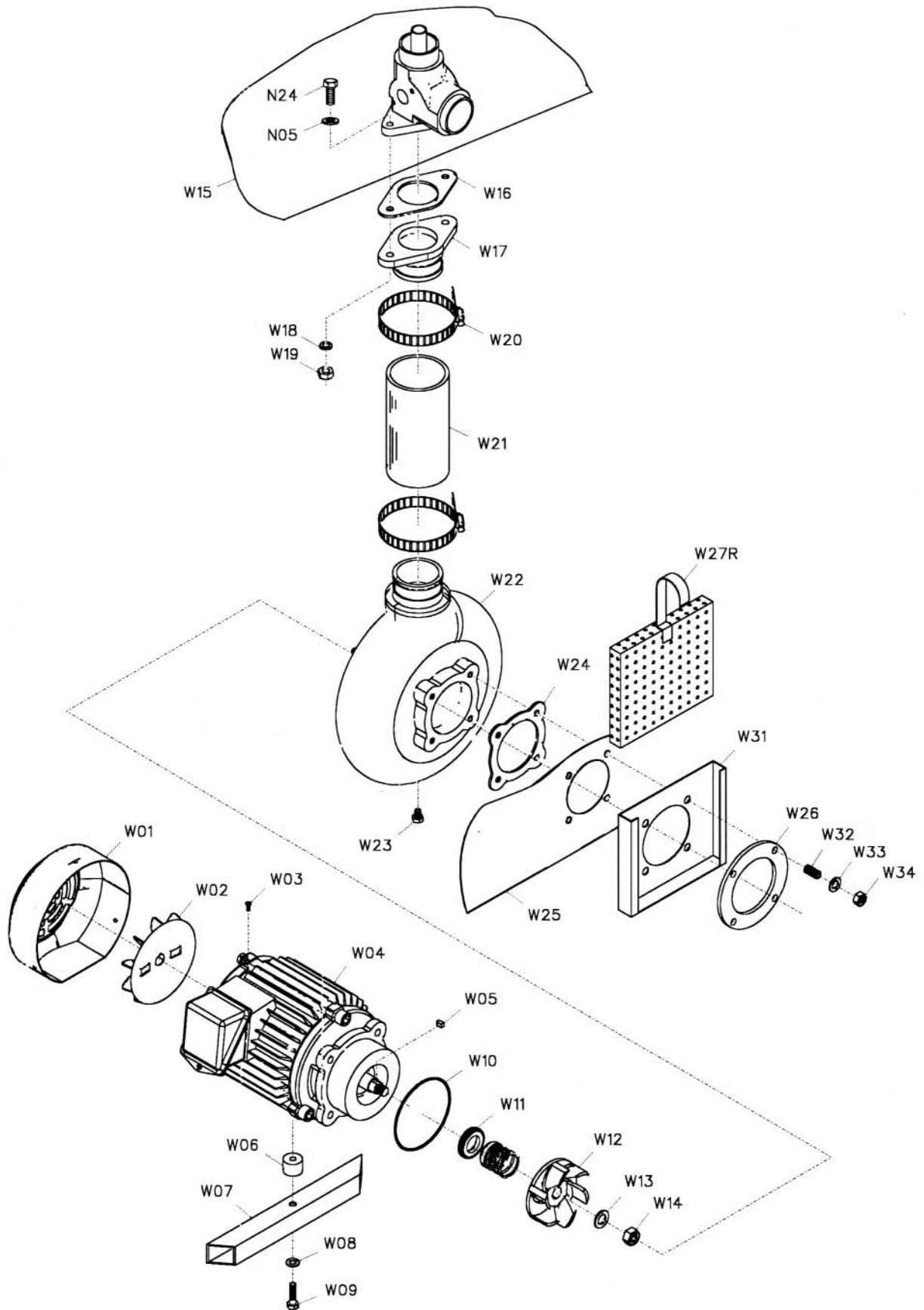
1. Nozzle (1)



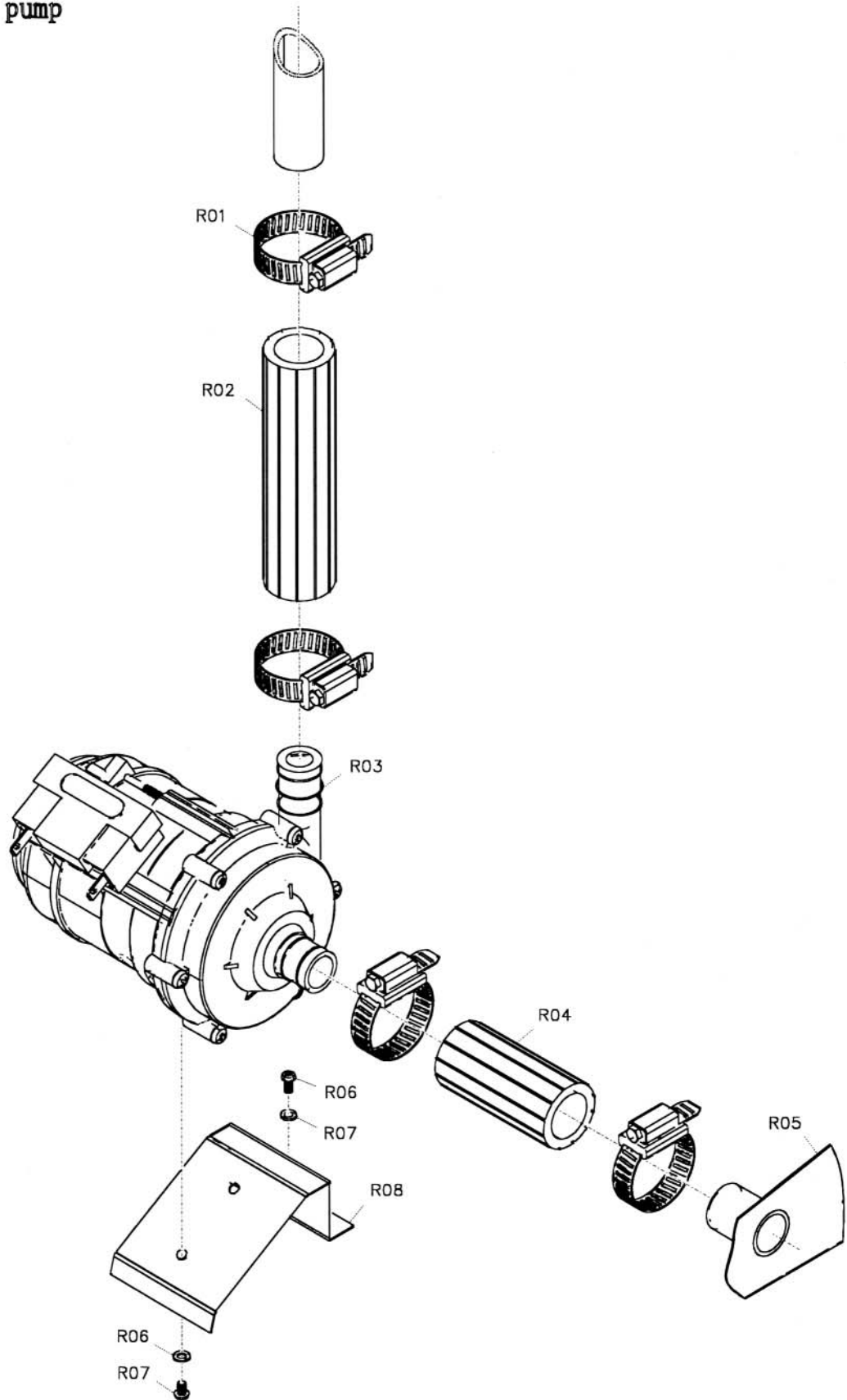
1. Nozzle (2)



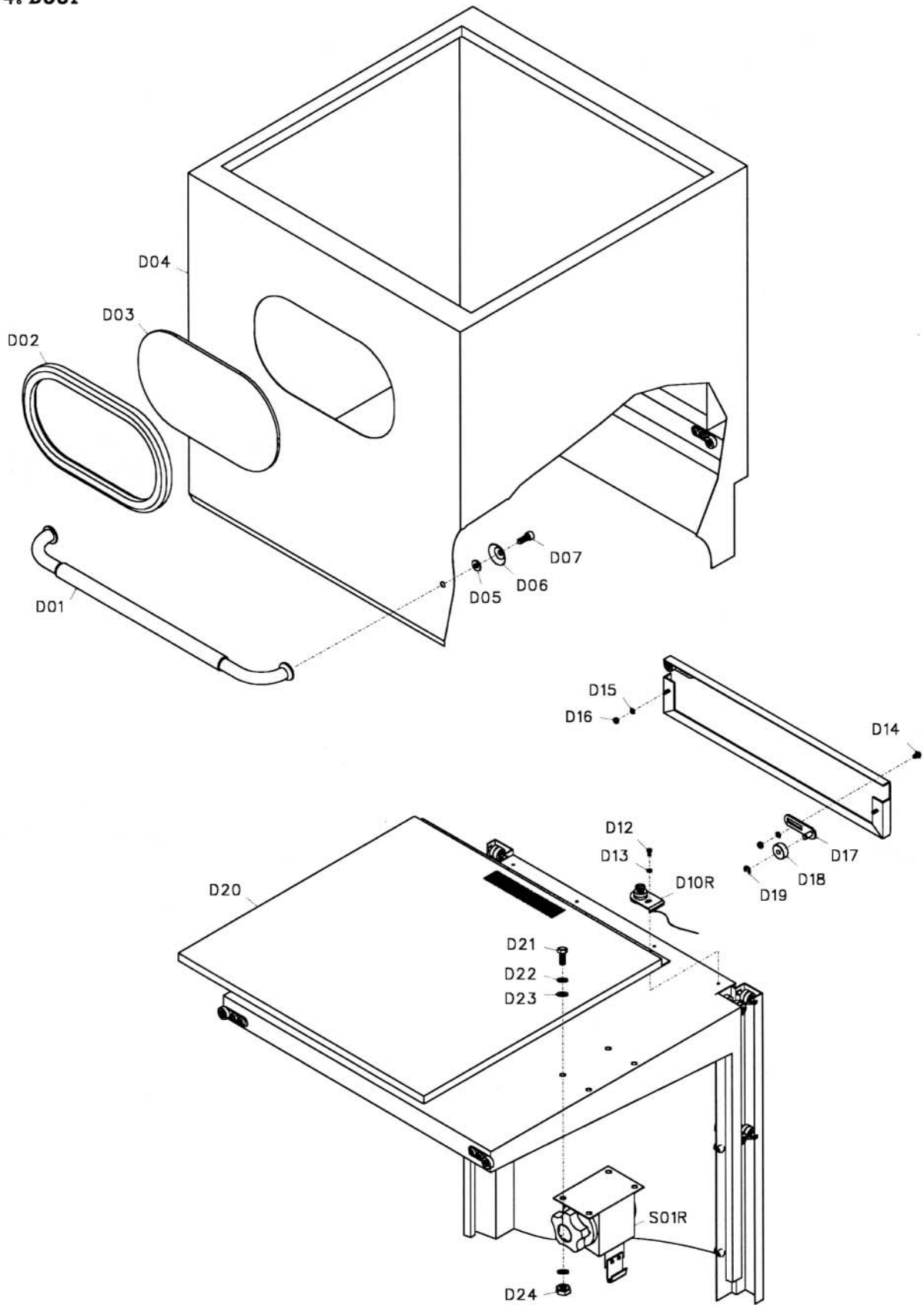
2. Wash pump



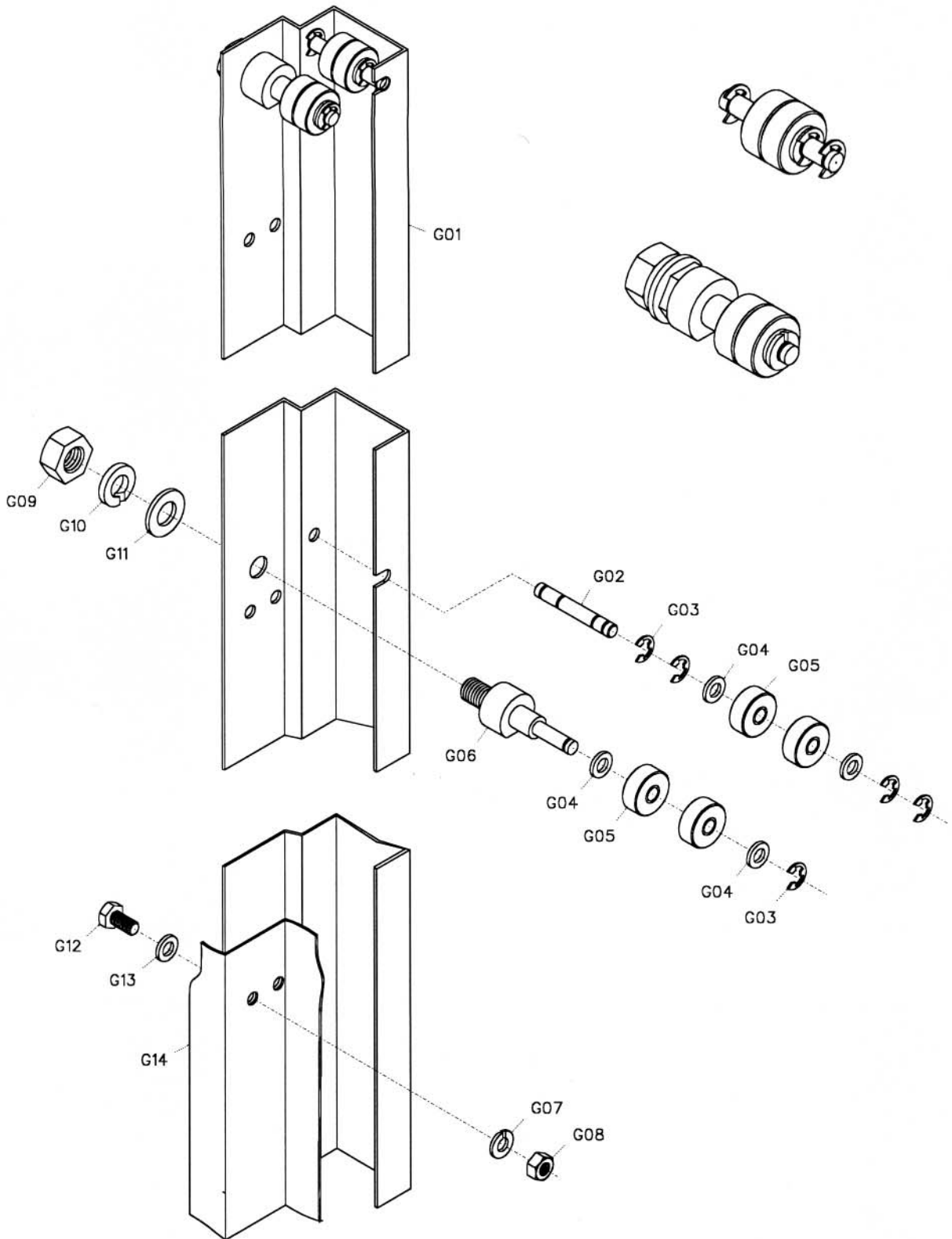
3. Rinse pump



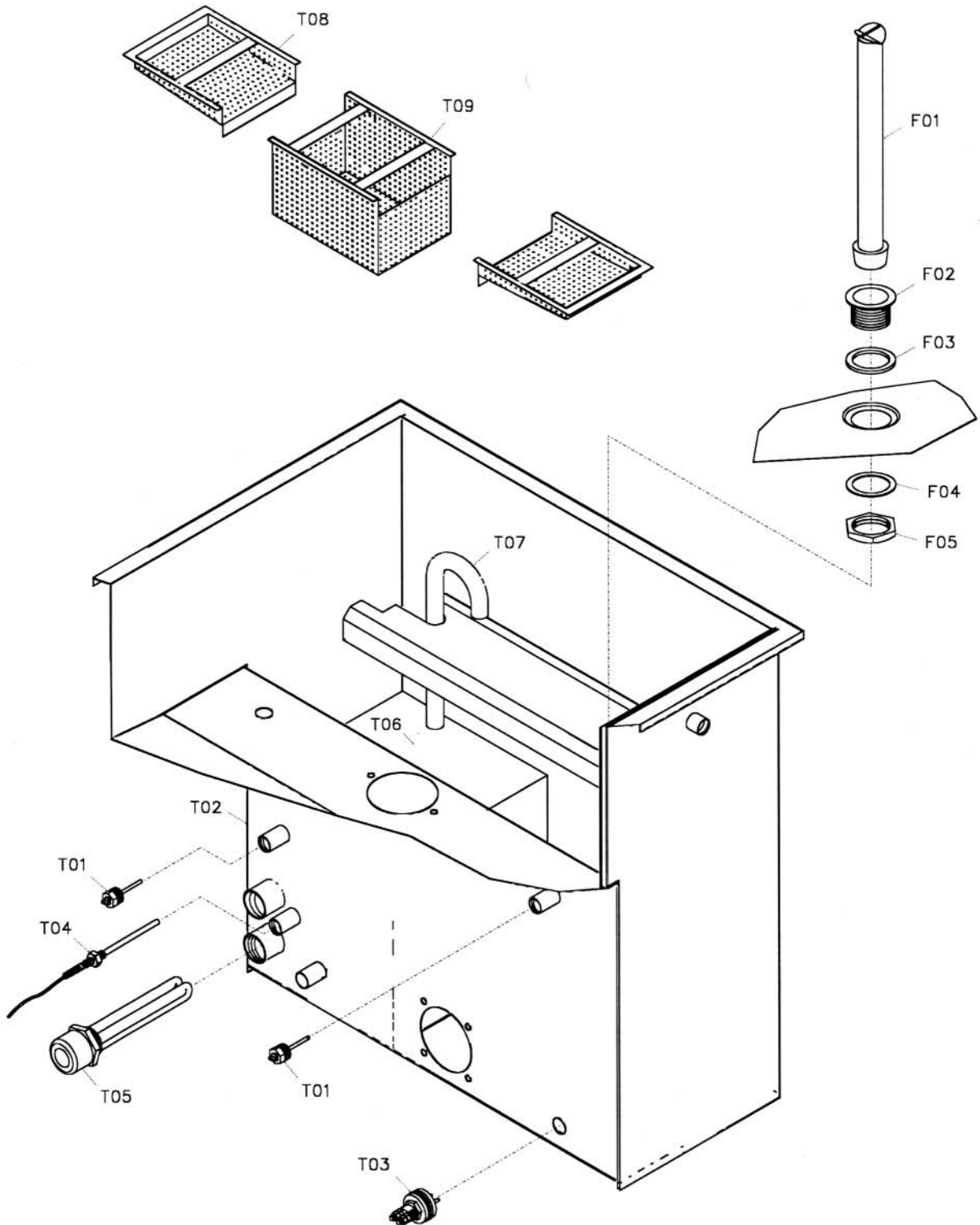
4. Door



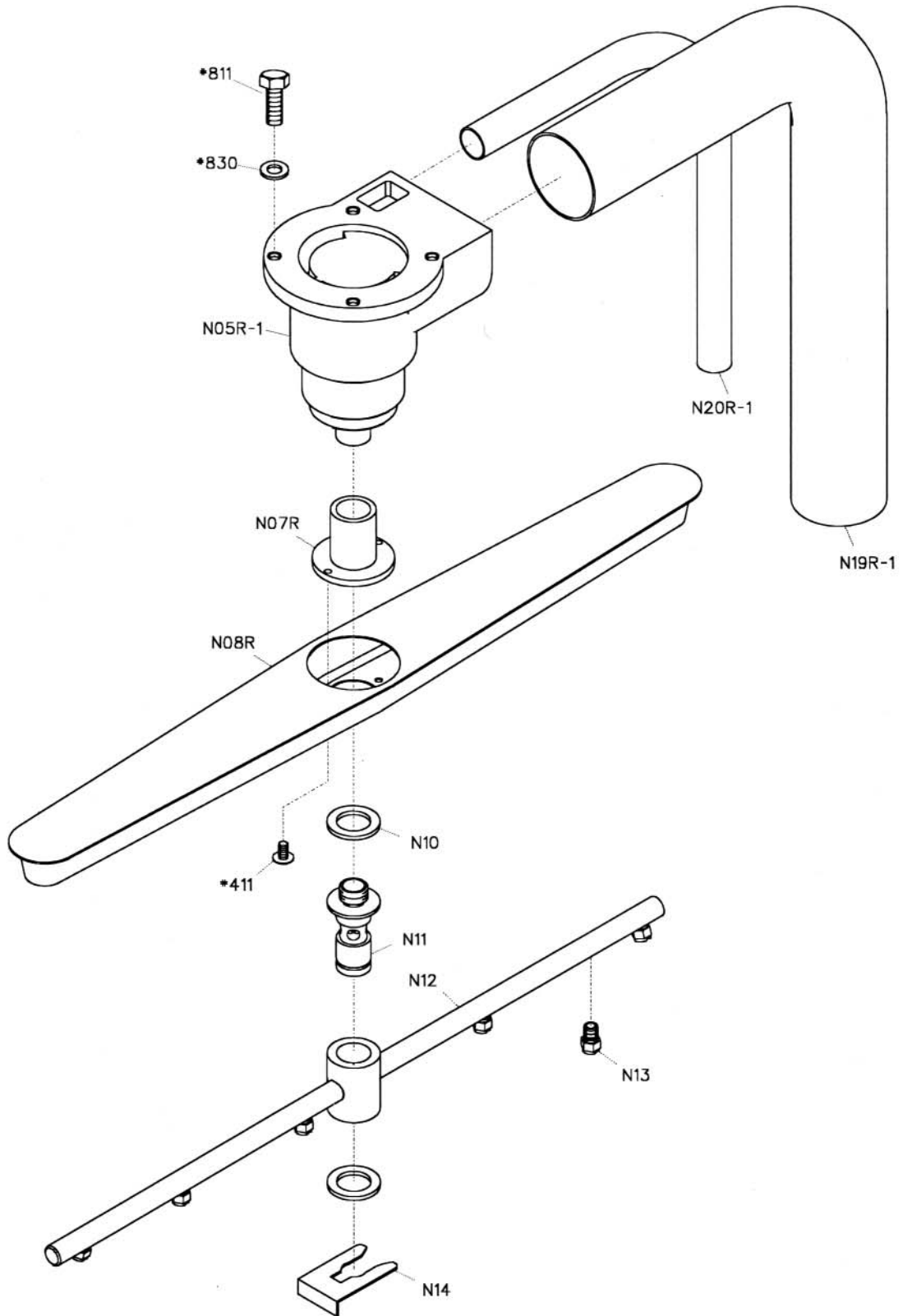
5. Guide roller



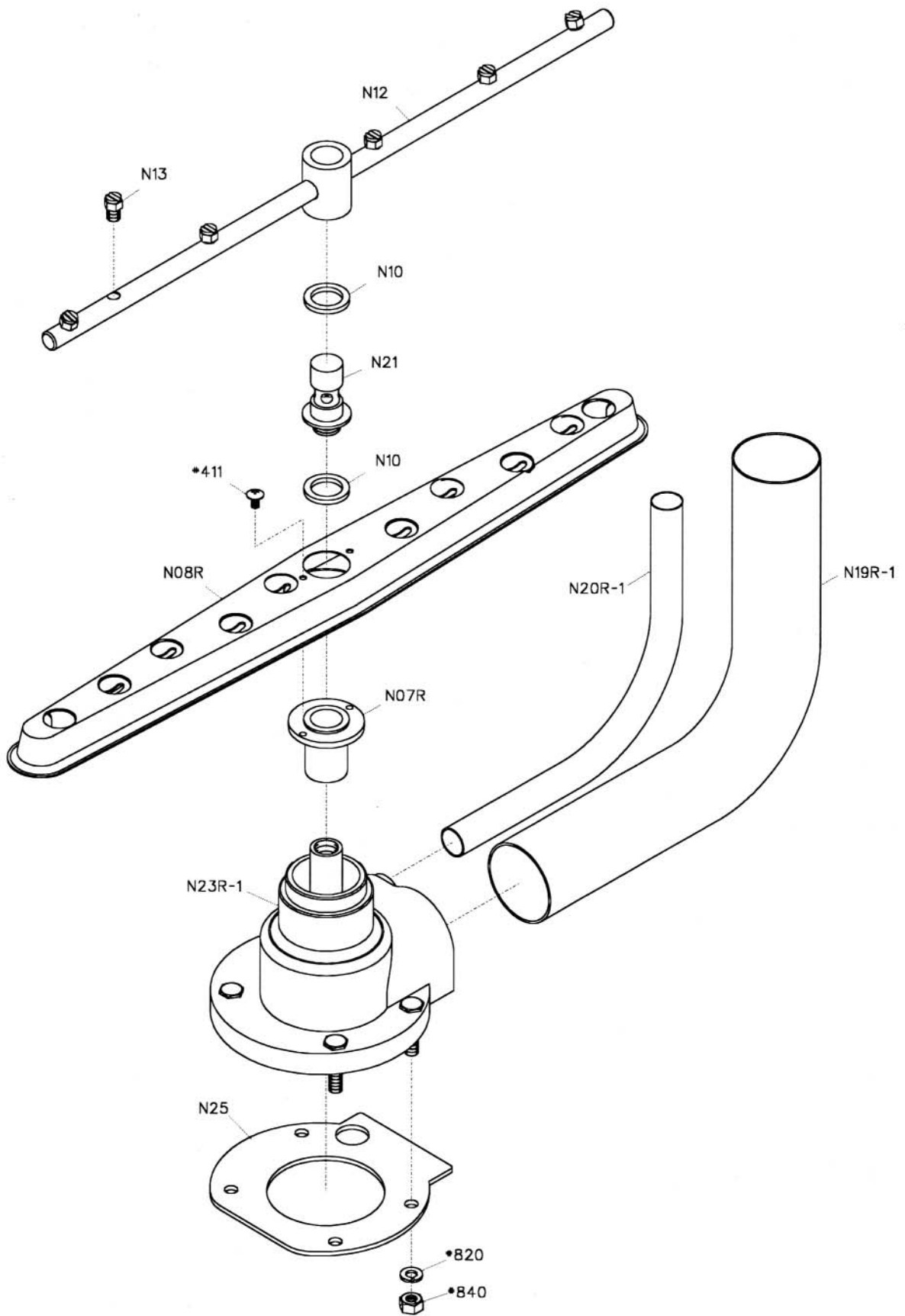
6. Tank



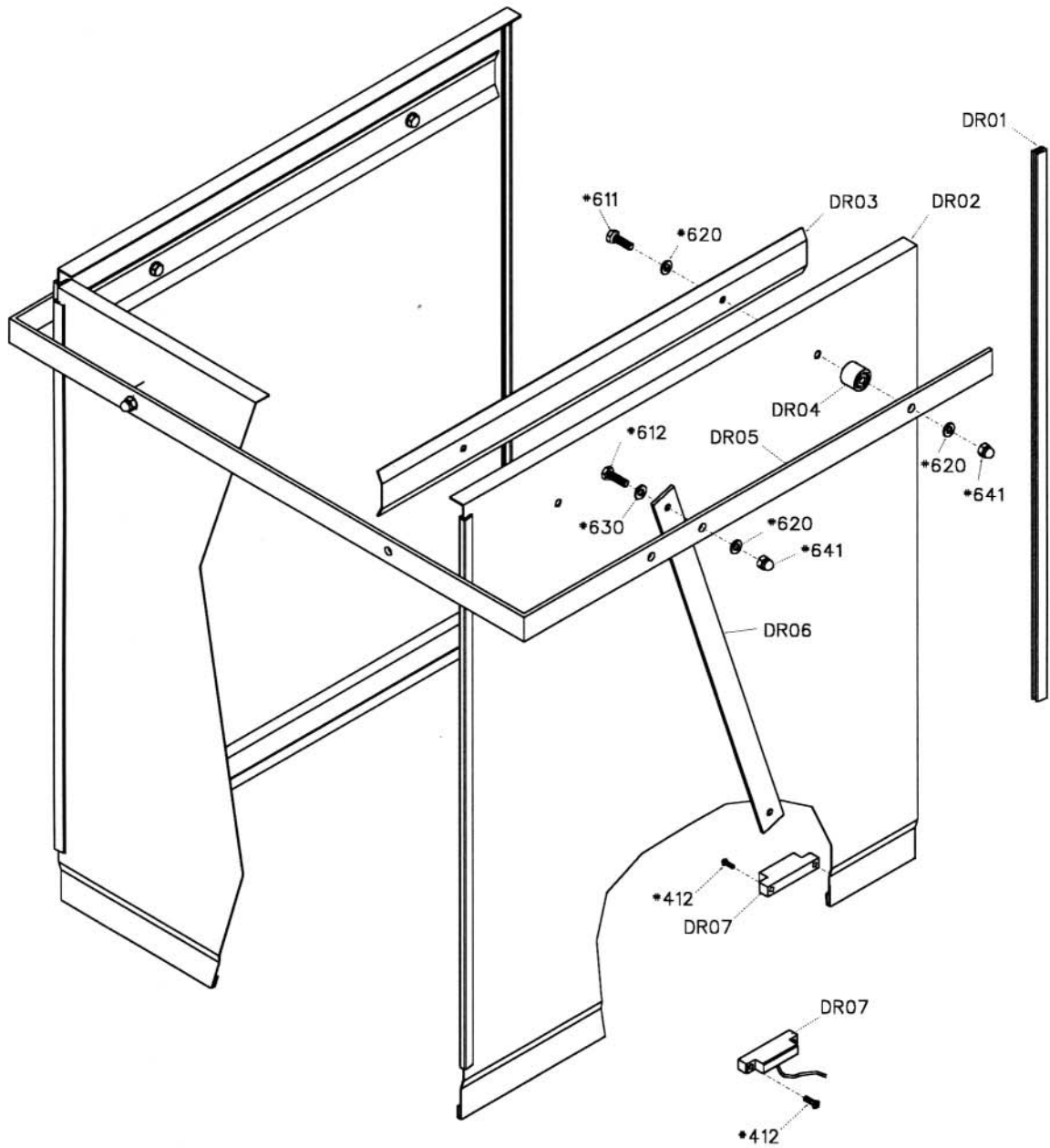
1. Nozzle (1)-300D



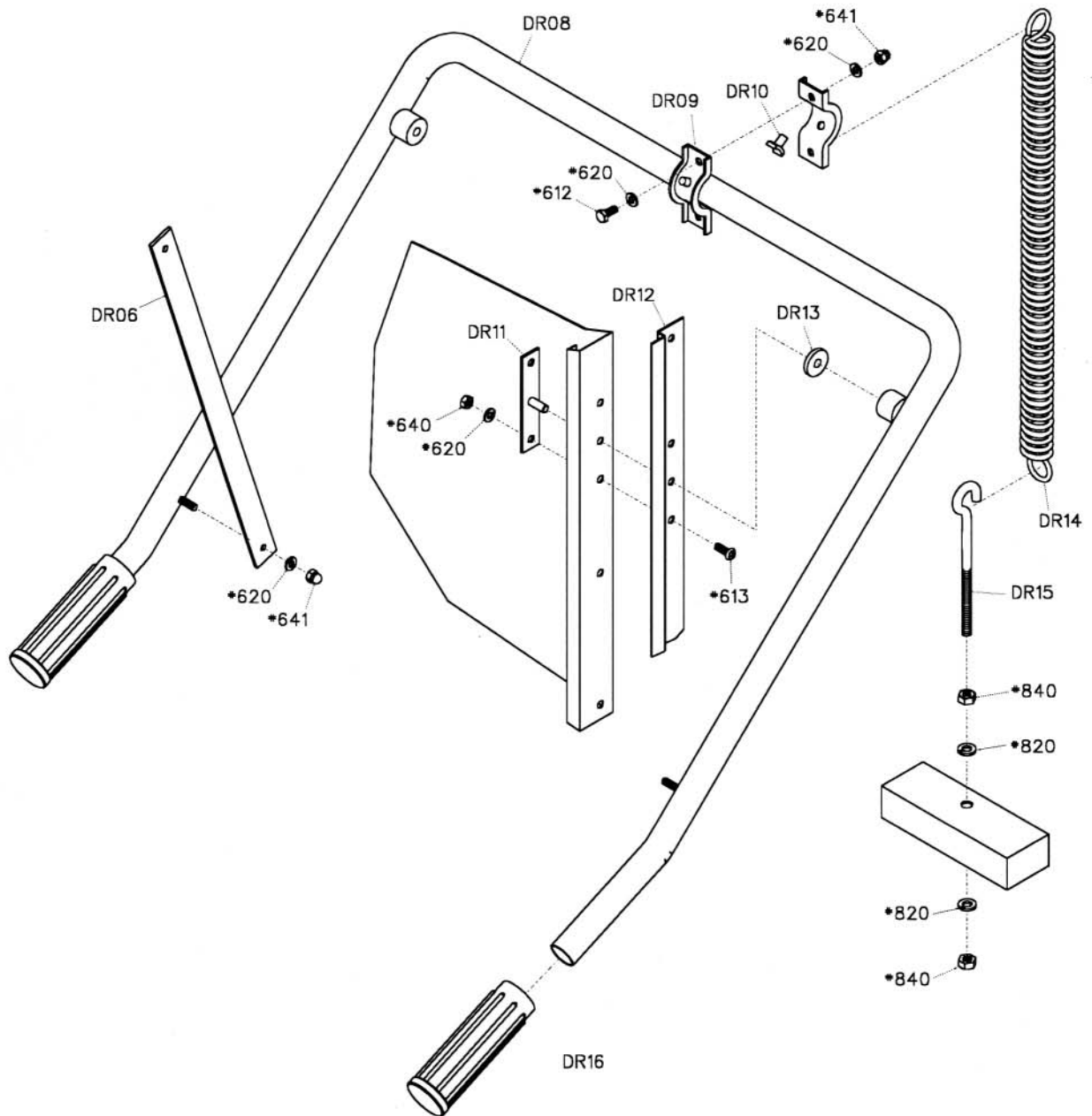
2. Nozzle (2) -300D



3. Door



4. Handle



5. Rack table

