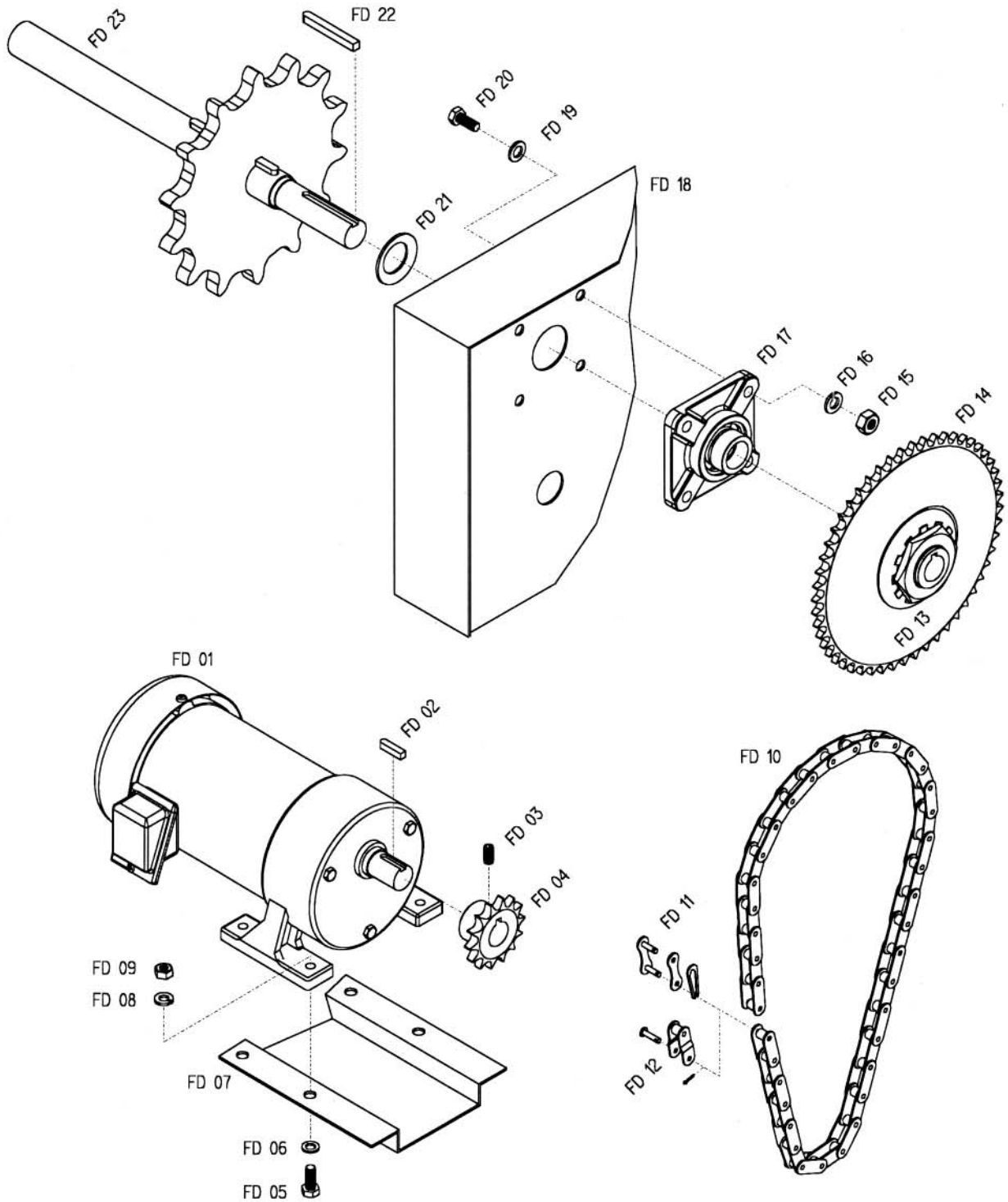
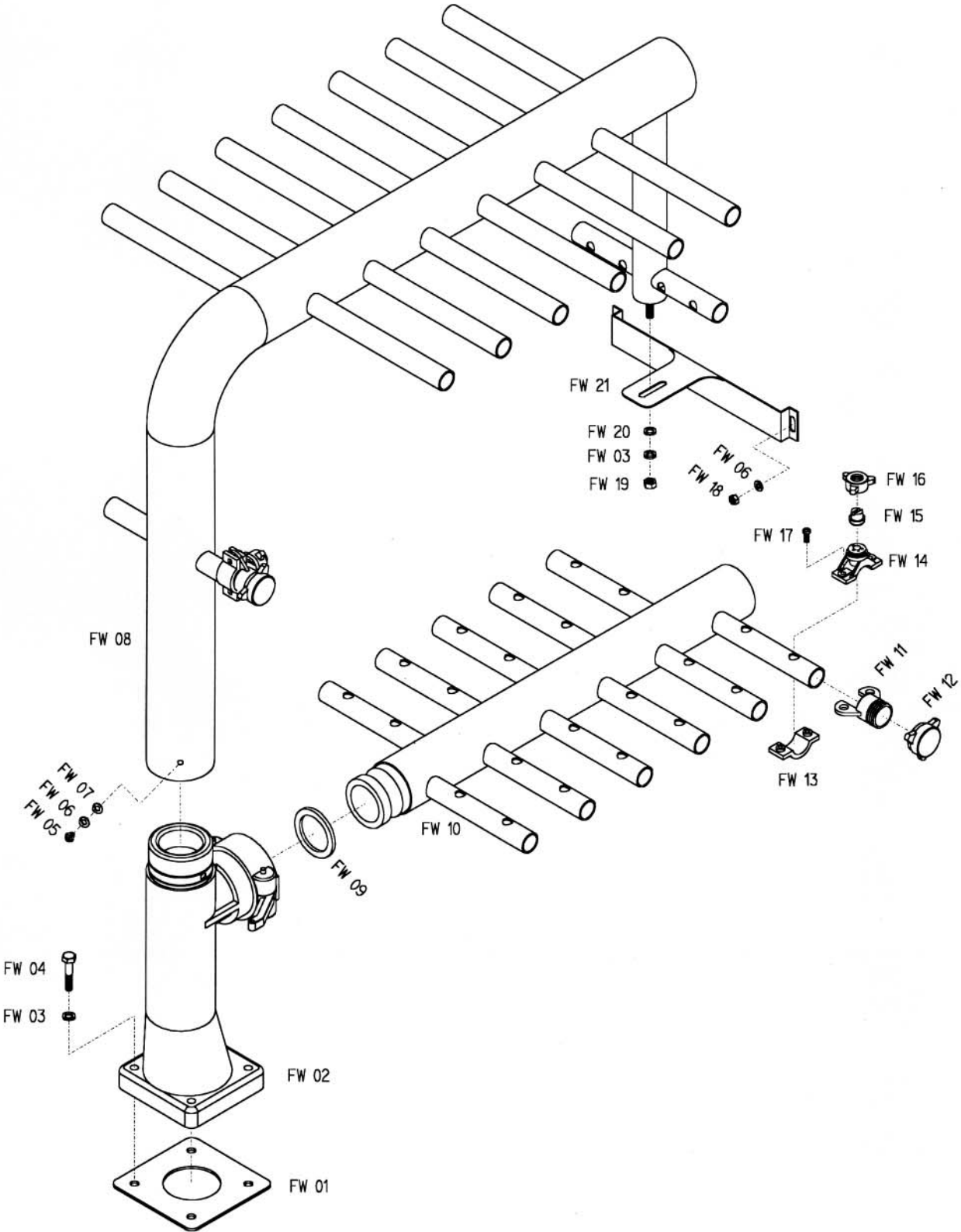


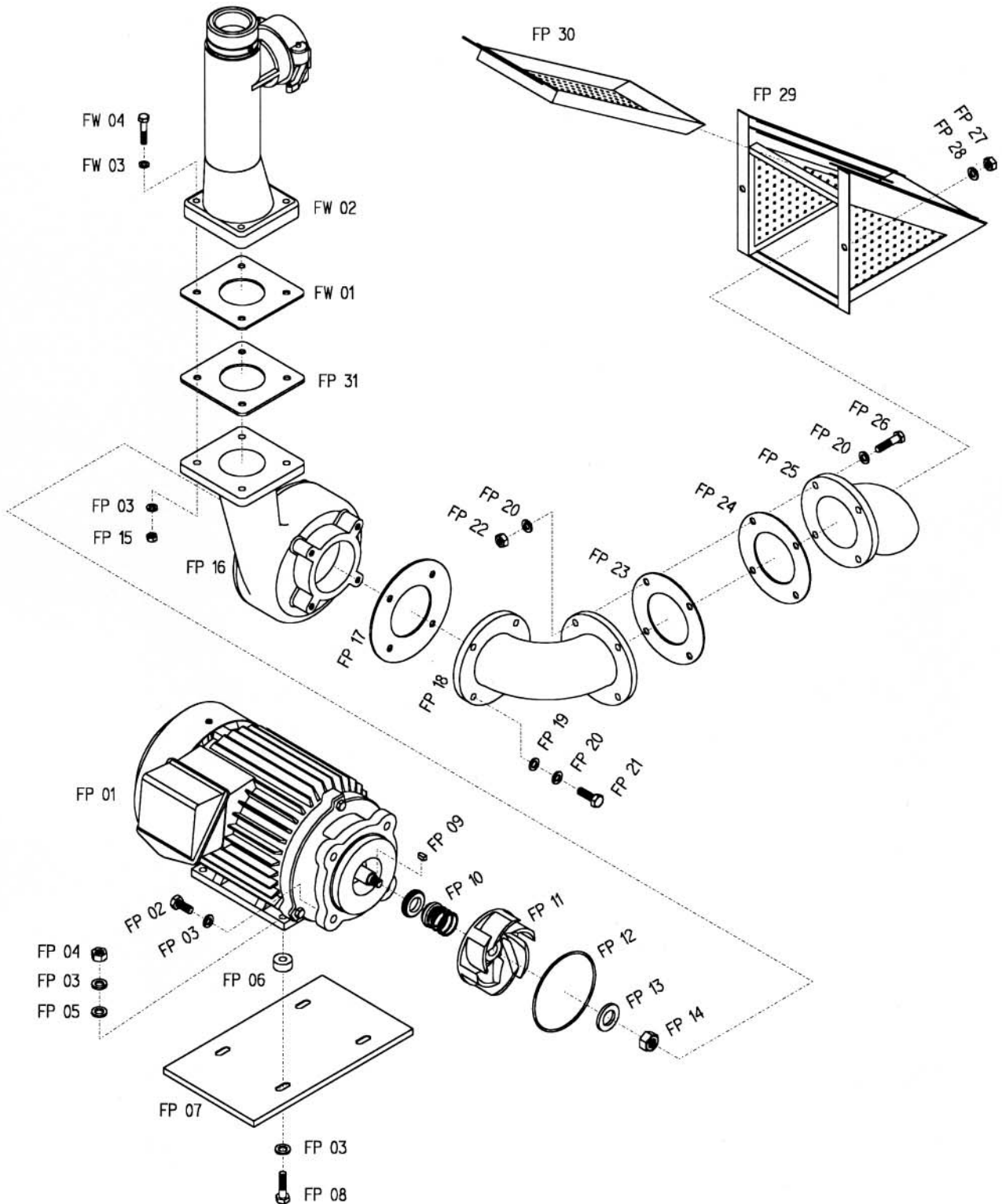
1. Drive unit



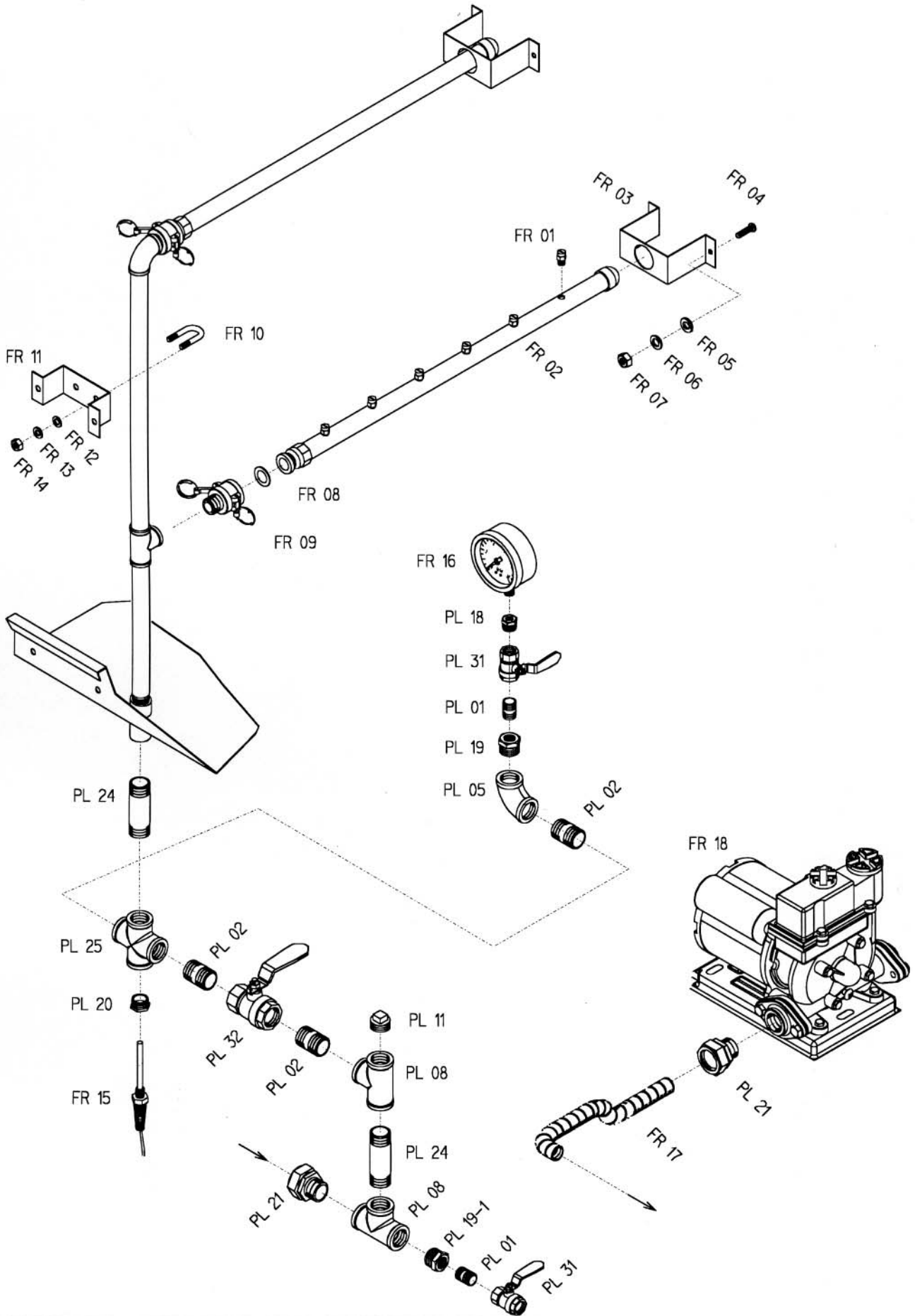
2. Wash-nozzle unit



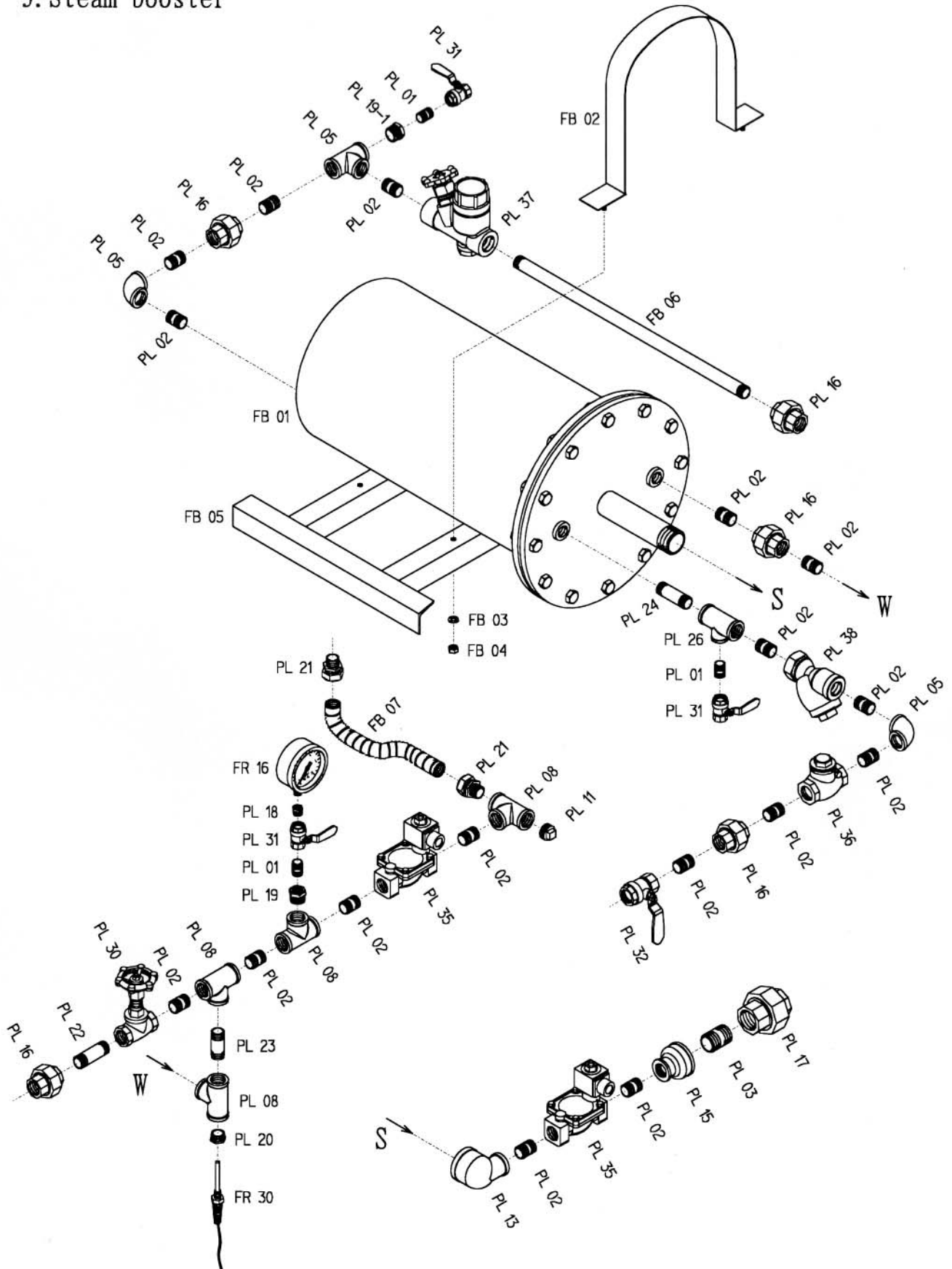
3. Wash-pump unit



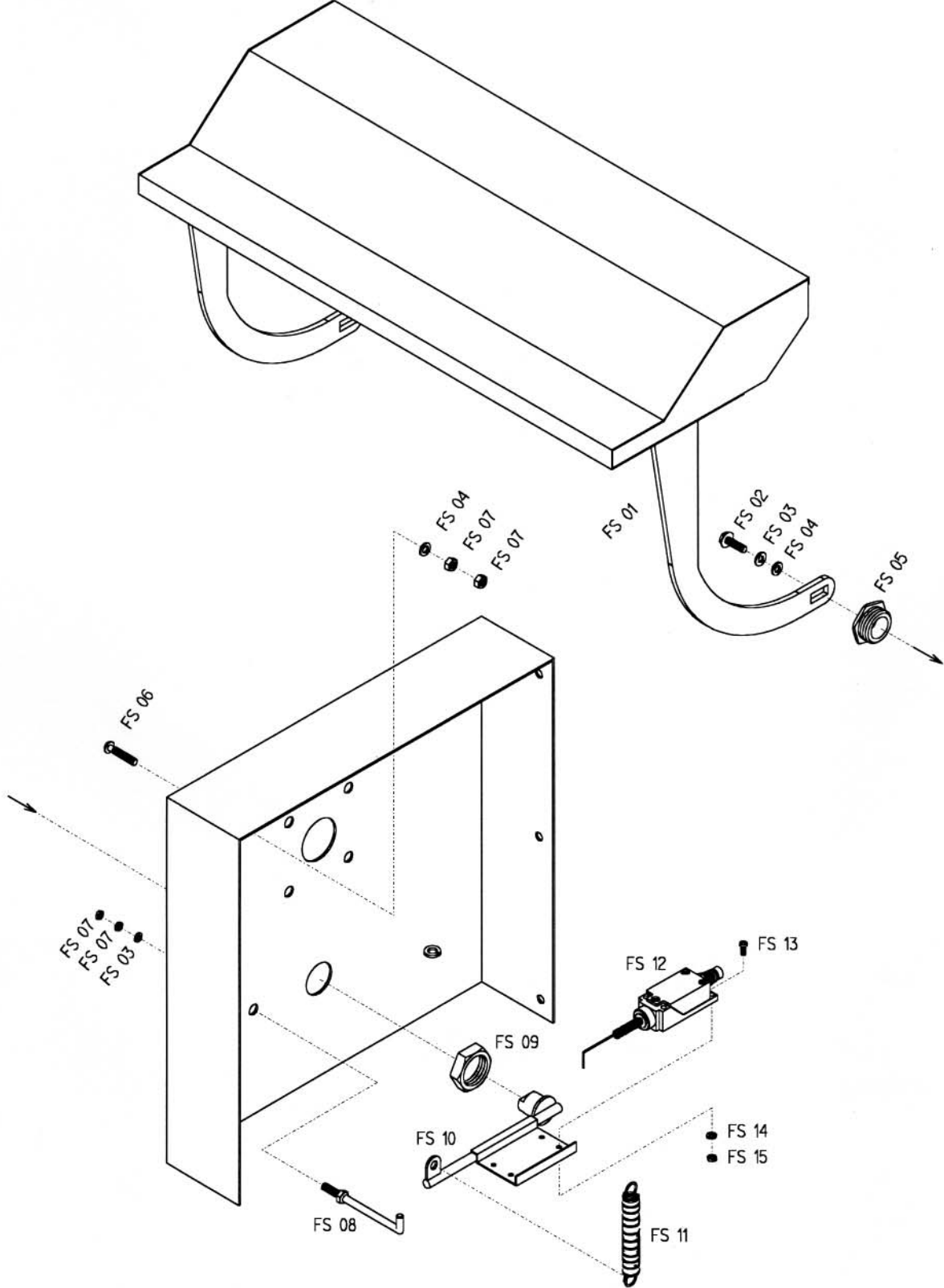
4. Rinse unit (Gas type)



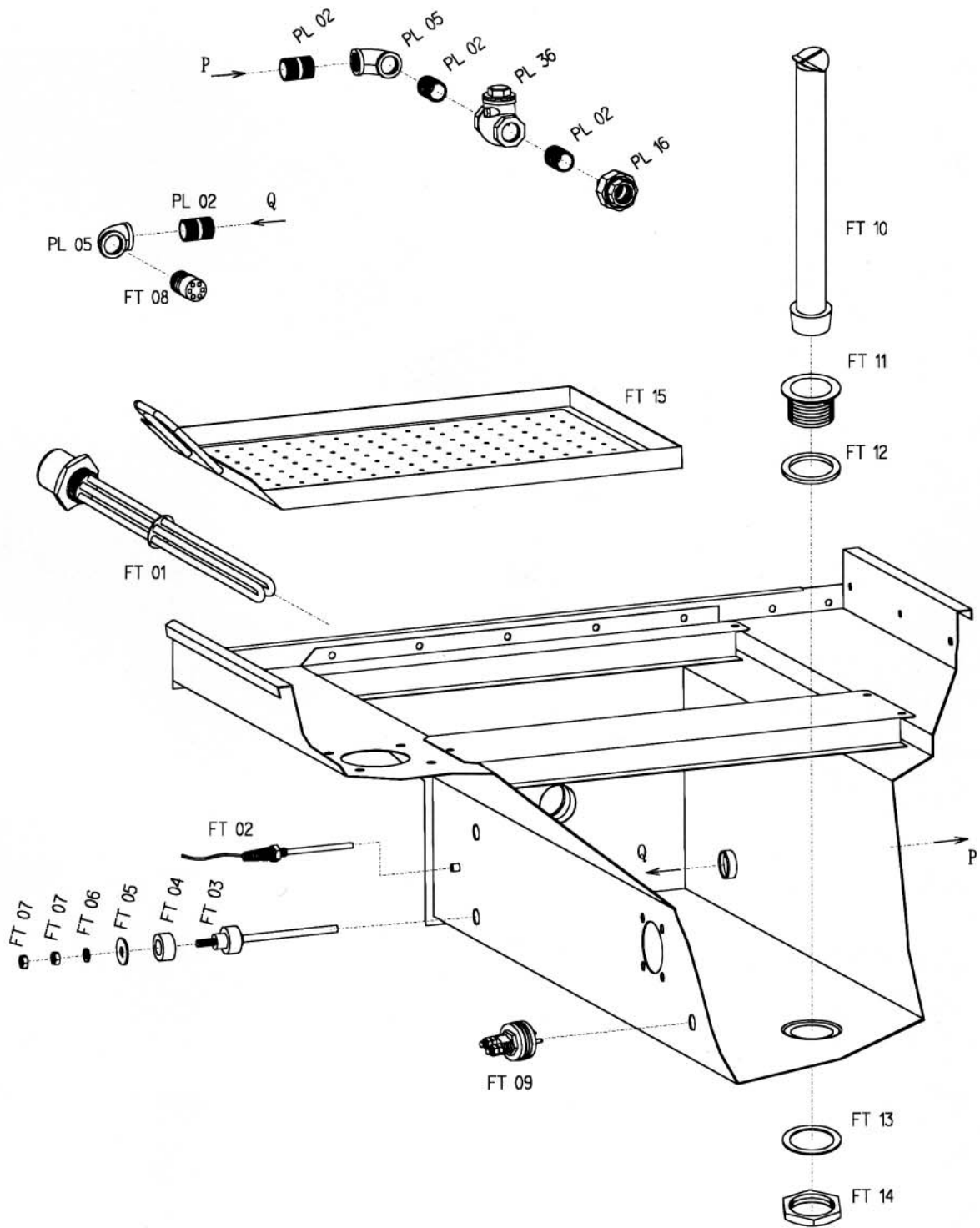
5. Steam booster



6. Safty unit



7. Wash-tank unit



8. Conveyor unit

