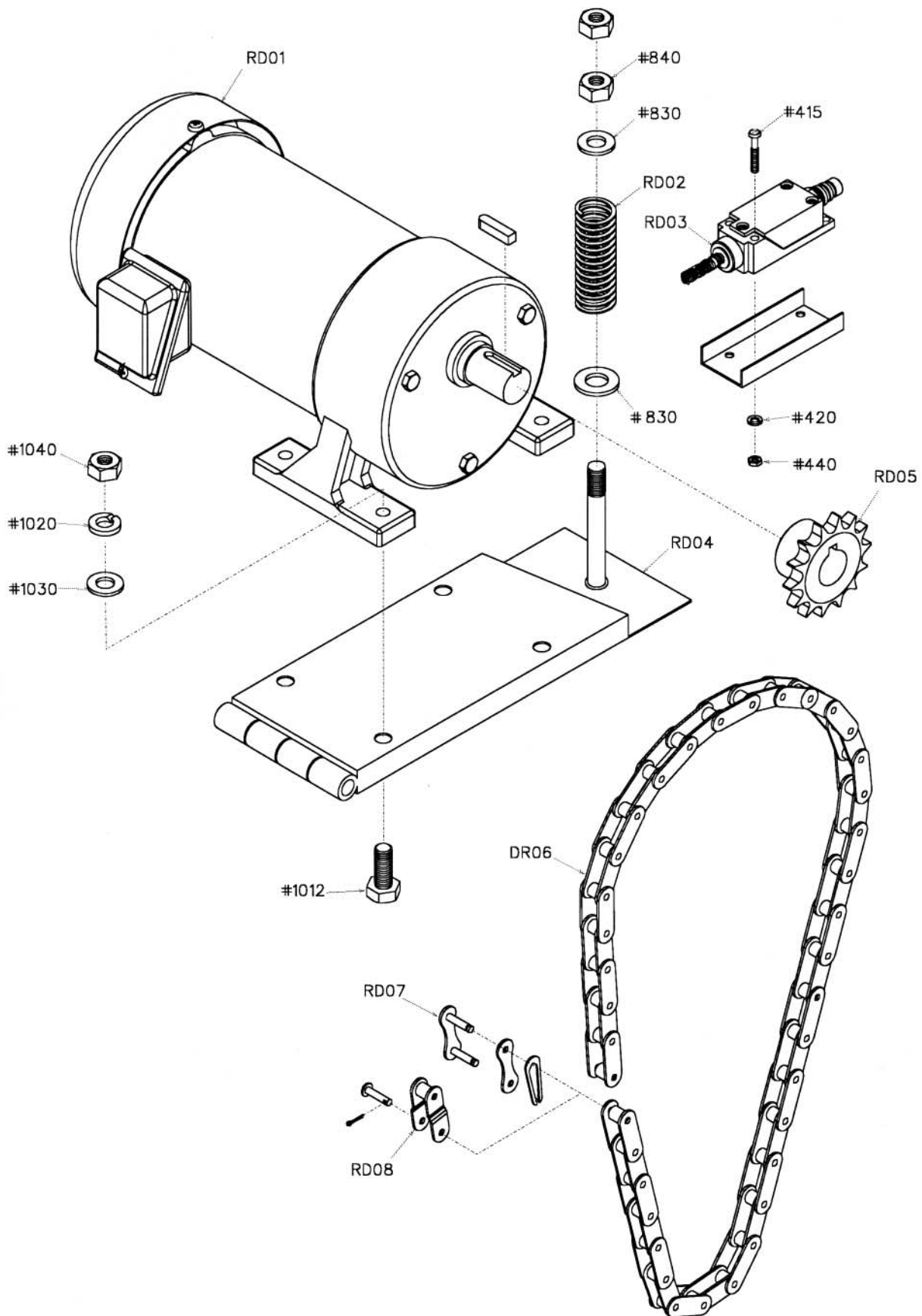
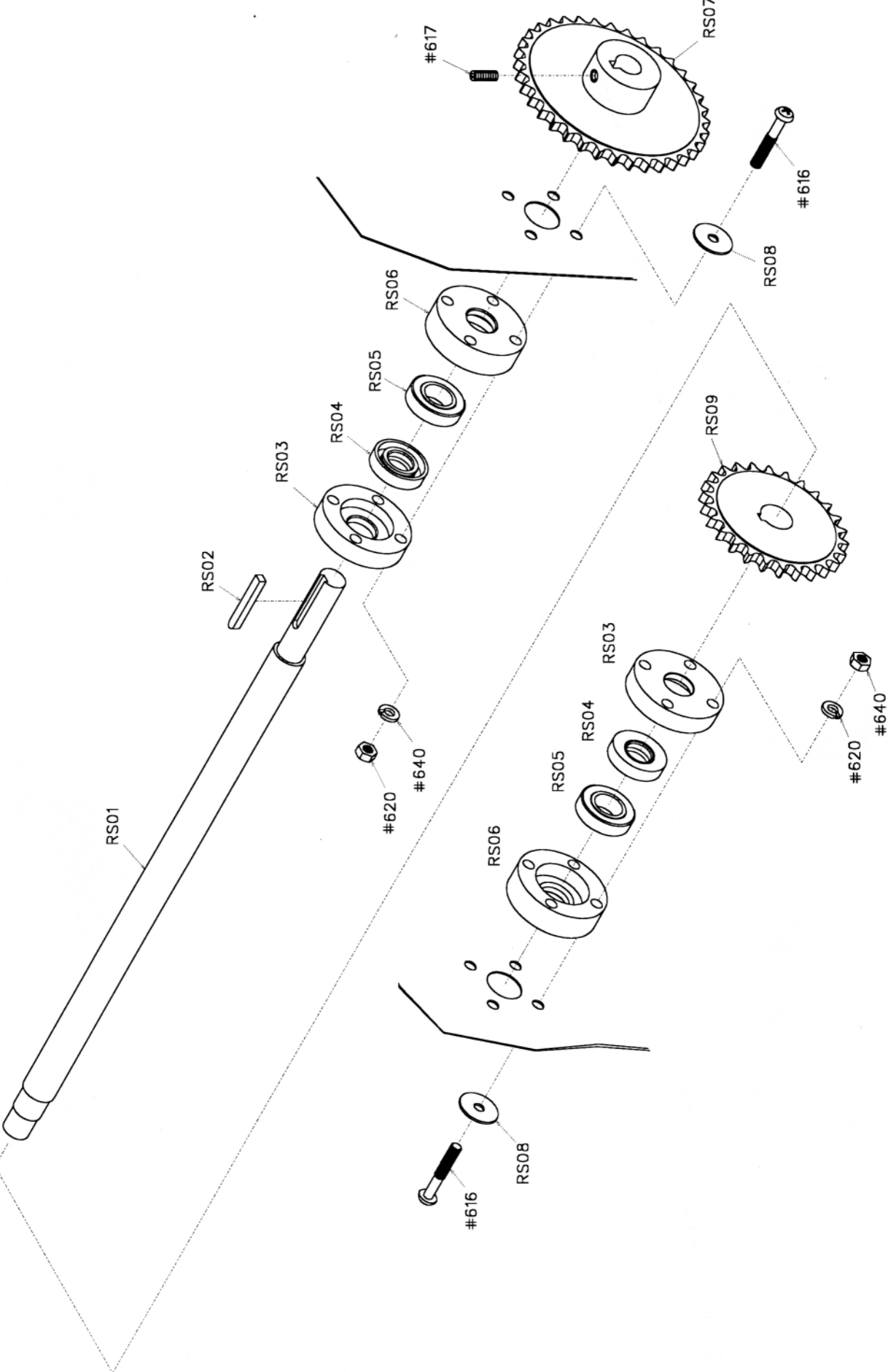


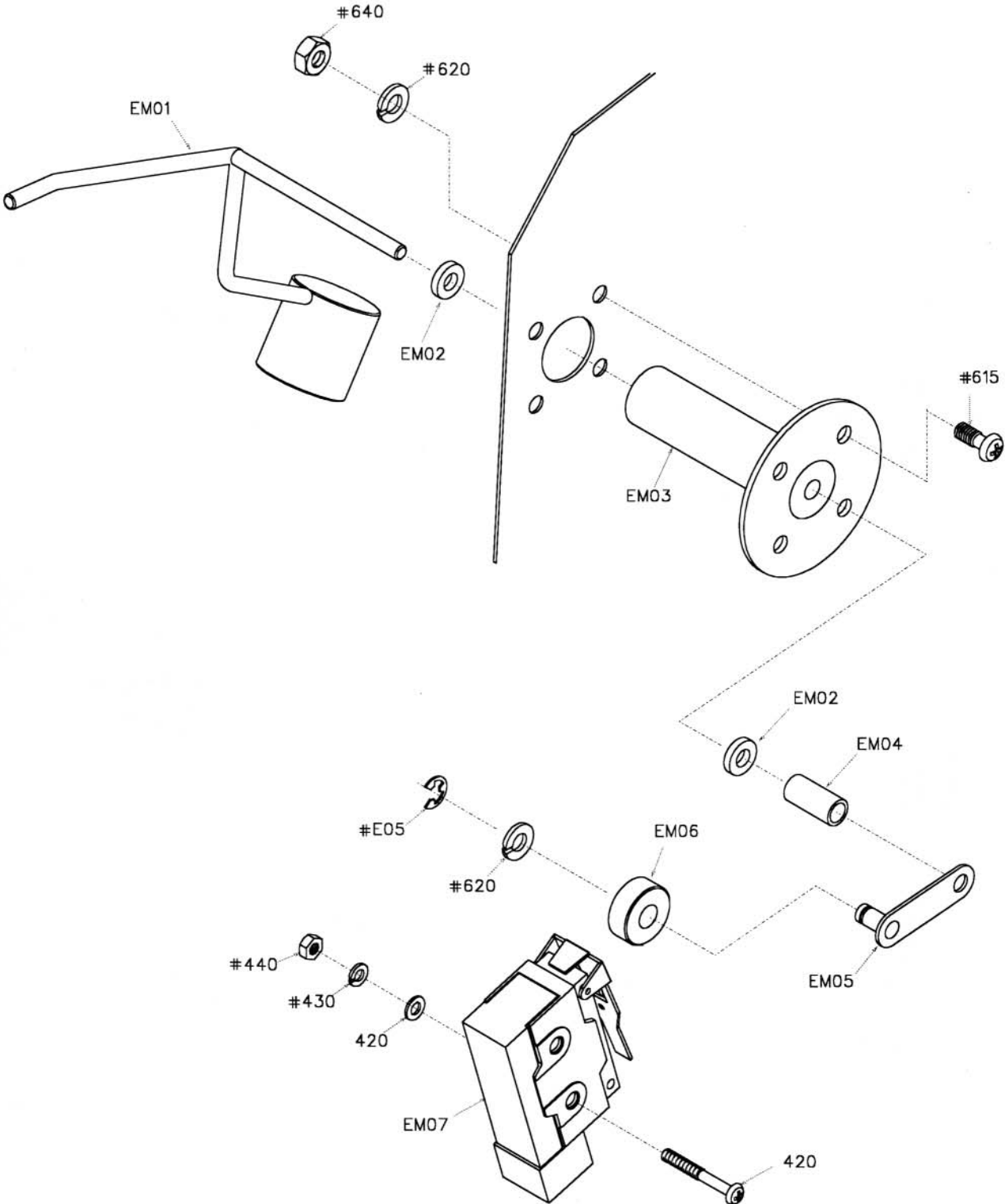
1. Drive unit



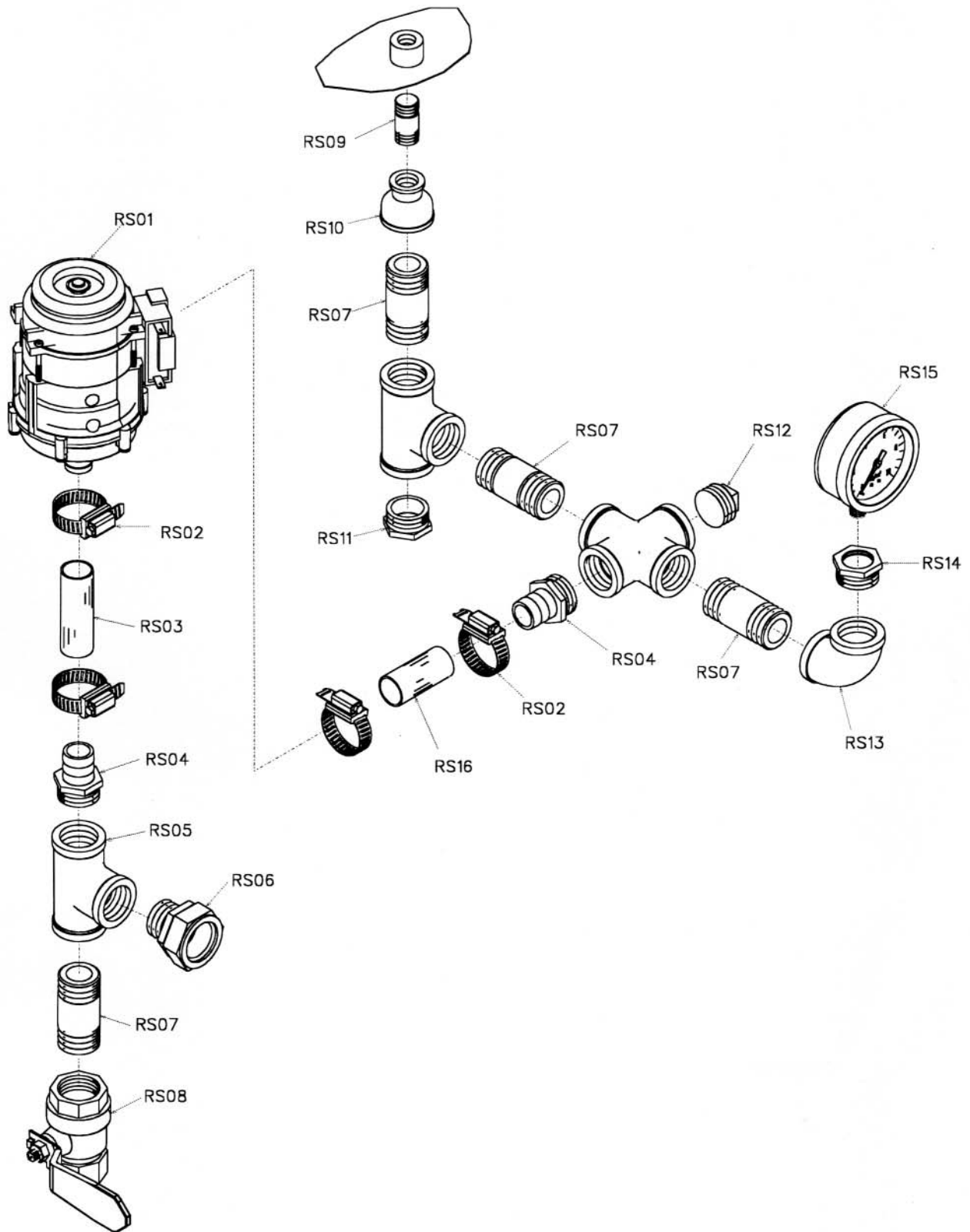
2. Shaft



3. Economizer



4. Rinse pipeline



5. Tension unit

